

### Operating principle

- The valve opens when the pressure of the fluid exceeds the pressure exerted by the pump spring. When the two pressures are equalised, the valve closes. A stronger counter-pressure allows the valve to close.

### Materials

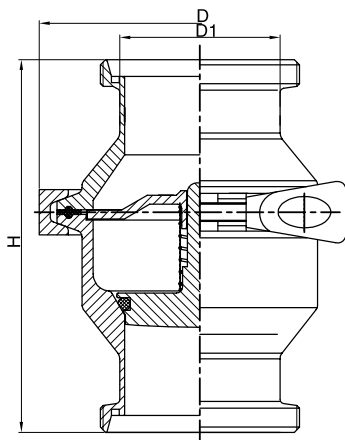
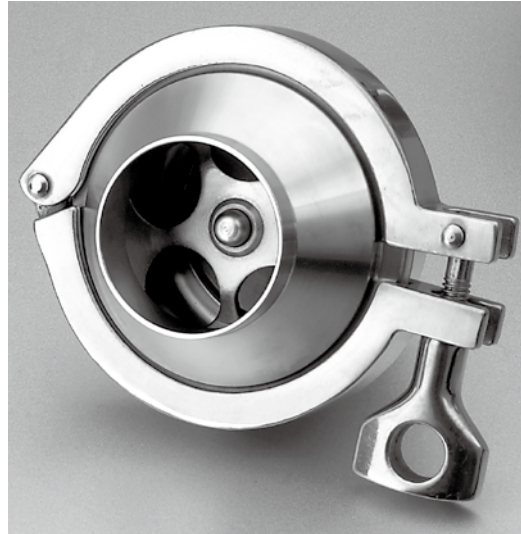
- Casing/shaft      AISI 316L
- Spring             AISI 301
- Seal EPDM according to FDA 177.2600
- Surface finishing   Ra≤0.8µm

### Options

- Seals in NBR, FPM (Viton) or PTFE. All of them according to FDA 177.2600
- Connections: weld, thread, clamp, DIN, SMS, RJT, IDF, ISO,3A

### Technical specifications

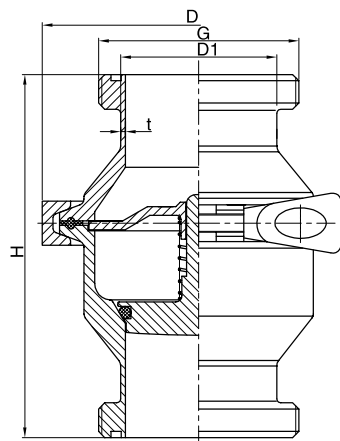
- Max. pressure 10 bar
- Opening pressure: 0.3 bar (DN-25)  
                          0.2 bar (DN-32/40)  
                          0.1 bar (DN-50/100)
- Working temperature -10°C to +120°C (EPDM)



W5061

Threaded Check Valve(DIN)

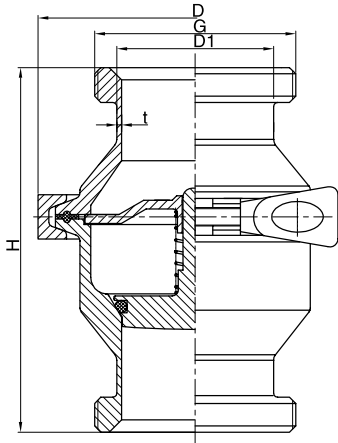
SIZE	H	D1		D	t	G(RD)
		1	2			
DN15	115	18	19	87	1.5	33.5x1/8
DN20	119	22	23	87	1.5	43.5x1/6
DN25	125	28	29	87	1.5	51.5x1/6
DN32	127	34	35	87	1.5	57.5x1/6
DN40	123	40	41	87	1.5	64.5x1/6
DN50	135	52	53	100	1.5	77.5x1/6
DN65	145	70	-	115	2.0	94.5x1/6
DN80	151	85	-	128	2.0	109.3x1/4
DN100	170	104	-	164	2.0	129.3x1/4



W5062

Threaded Check Valve(SMS)

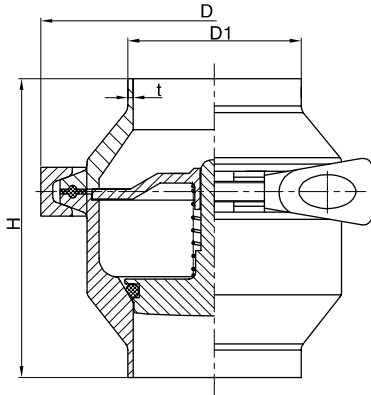
SIZE	H	D	D1	t	G(RD)
3/4"	115	87	19	1.5	35.5x1/8
1"	119	87	25.4	1.5	39.5x1/6
1 1/4"	127	87	31.8	1.5	59.5x1/6
1 1/2"	127	87	38.1	1.5	69.5x1/6
2"	137	100	50.8	1.5	84.5x1/6
2 1/2"	149	115	63.5	2.0	97.3x1/6
3"	155	128	76.2	2.0	104.3x1/6
3 1/2"	149	128	89	2.0	124.3x1/4
4"	170	164	101.6	2.0	



W5063

Threaded Check Valve(3A)

SIZE	H	D1	t	G
1"	108	25.4	1.65	37.13x1/8 Acme
1 1/4"	113	31.8	1.65	45.9x1/8 Acme
1 1/2"	113	38.1	1.65	50.65x1/8 Acme
2"	126	50.8	1.65	64.1x1/8 Acme
2 1/2"	141	63.5	1.65	77.6x1/8 Acme
3"	152	76.2	1.65	91.1x1/8 Acme
4"	167	101.6	2.1	



W5064

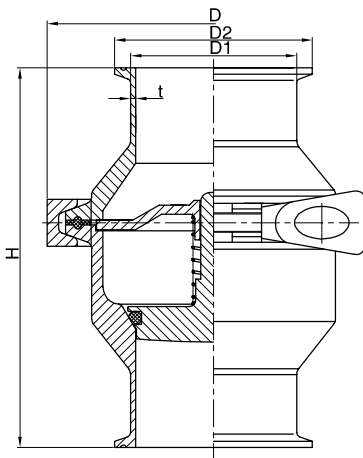
Welded Check Valve

Size	t	H	D	D1
DN15	1.5	70	76.5	18.0
DN20	1.5	70	76.5	22.0
DN25	1.5	70	87.0	28.0
DN32	1.5	70	87.0	34.0
DN40	1.5	70	87.0	40.0
DN50	1.5	80	100.0	52.0
DN65	2.0	90	115.0	70.0
DN80	2.0	100	128.0	85.0
DN100	2.0	110	164.0	104.0

W5065

Welded Check Valve(inch)

Size	t	H	D	D1
3/4"	1.5	70	76.5	19.0
1"	1.5	70	87.0	25.4
1 1/4"	1.5	70	87.0	32.0
1 1/2"	1.5	70	87.0	38.1
45	1.5	80	100.0	45.0
2"	2.0	80	100.0	50.8
57	2.0	91.0	100.0	57.0
2 1/2"	2.0	90	115.0	63.5
3"	2.0	100	128.0	76.2
3 1/2"	2.0	100	128.0	89.0
4"	2.0	110.0	164.0	101.6
	2.0	110.0	164.0	108.0



W5066

Clamped Check Valve(DIN)

Size	t	H	D	D2
DN15	1.5	81	76.5	34.0
DN20	1.5	81	76.5	34.0
DN25	1.5	95	87.0	50.5
DN32	1.5	95	87.0	50.5
DN40	1.5	95	87.0	50.5
DN50	1.5	105	100.0	64.0
DN65	2.0	120.5	115.0	91.0
DN80	2.0	125	128.0	106.0
DN100	2.0	141.5	164.0	119.0

W5067

Clamped Check Valve(inch)

Size	t	H	D	D2
1/2"	1.5	81	76.5	25.4
3/4"	1.5	81	76.5	25.4
1"	1.5	95	76.5	50.5
1 1/2"	1.5	95	87.0	50.5
2"	2.0	105	100.0	64
2 1/2"	2.0	120.5	115.0	77.5
3"	2.0	125	128.0	91
4"	2.0	141.5	164.0	119.0