

Operating principle

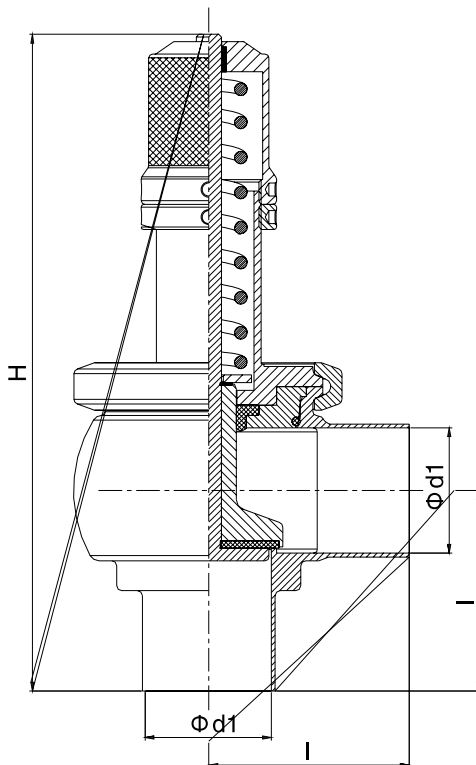
- Under normal operating conditions, the valve remains closed.
- The specific pressure is set by adjusting the spring with the pressure nut.
- When the pressure in the pipes is above the specific pressure, the valve becomes open automatically to make the liquid pass over in order to reduce the pressure in the pipes.
- The valve can be with handle in order to realize partial open. When the handle remains open on the operation spot, the detergent can flow though the flow valves.

Options

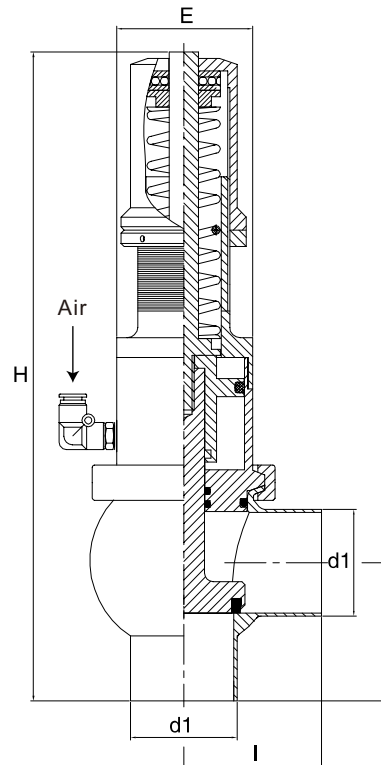
- Connections DIN-IDF-RJT-3A-SMS, Clamp, flanges, Welding, Threded.
- Material of gasket: EPDM NBR FPM
- Pressure Ranges (changing the spring).
- The assembly with handle can open the valve partially. When CIP (with use of pump passes), the liquid can be flowed though.

Technical specifications

- Max. temperature 121°C (EPDM) /250° F
- Max. operating pressure Spring adjustable (0-3bar/0-6bar/0-10bar) (0-43,5PSI/0-87PSI/0-145PSI)



Safety Valve



Pneumatic Safety Valve

W5090

DIN

DN	d1	Manual H	Pneumatic	l
25	26	219	275	58
40	38	250	305	60
50	50	252	305	65
65	66	284	340	75
80	81	301	355	90

W5091

INCH

DN	d1	Manual H	Pneumatic H	l
1"	22,1	219	275	58
1 1/2"	34,8	238	305	60
2"	47,5	252	305	65
2 1/2"	60,2	284	340	70
3"	72,9	301	355	90