

Applications

- Butterfly valves, no matter manually or automatically, can be used in most fluid product applications in the food-processing, pharmaceutical and chemical industries.

Operating Principles

- The butterfly valves can be operated automatically through actuator or manually with the handle.
- The handle blocks the valve in the "open" or "closed" position, certainly there are the other position available.
- The actuator push piston of axial movement into 90 degree so that it controls butterfly valve.

Technical specifications

- Max.pressure : 10 bar (DN-25/100)
8 bar (DN-125/150)
- Min.pressure : 0.2 bar p.abs
- Operating temperature : -10°C to +120°C (EPDM)

Technical Parameter

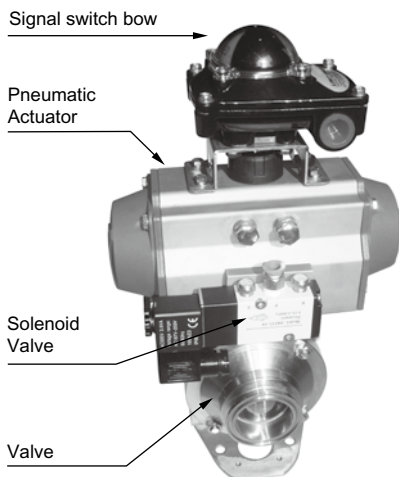
- The structure of valves: three-side control valve, two-side control valve, single-side control valve
- The material of gasket contains NBR, VMQ or FPM, which all confirm to standard of FDA 177.2600
- Connection: weld, clamp, thread, single weld singlethread, flange
- Handle: two-position handle, three-position handle, four-position pull rod handle, multi-position plastic handle and multi-position stainless steel handle,DIN,SMS,RJT,ISO,IDF,3A
- Actuator: pneumatic stainless steel actuator, pneumatic aluminum actuator, electric actuator
- Control: position sensor.



Stainless Steel Pneumatic Valve (Vertical)



Pneumatic butterfly Valve



Design and features

- Compact and robust design
- Available in sizes D N 25/1" to D N 150/6"
- The size of multi-position handle up to DN100/4"
- The size of pull handle up to DN125/150/6"
- Manual handle, pneumatic actuator and electric actuator can be exchangeable with each other
- Low pressure losses
- The valve body can be changeable with any kind of connection

Operating torque

OPERATING TORQUE [N.M]	25-1"	40-1 1/2"	50-2	2 1/2"	65	3"	80	100-4"	125	150
	8	10	14	15	18	18	20	35	55	70

Detect under pressure of 10Kgrs/cm²

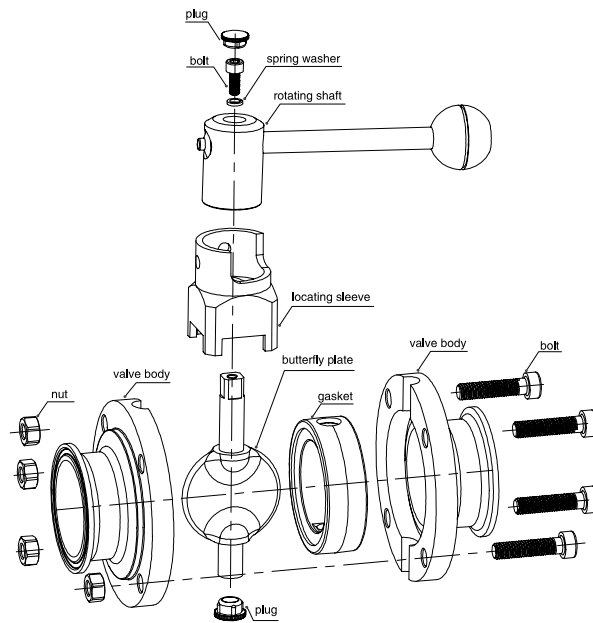
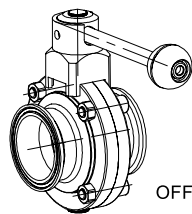
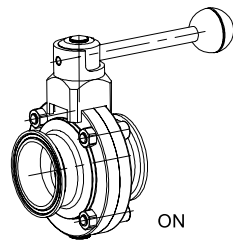
Materials

- Butterfly plate: AISI316L/304(forged)
- Valve body: AISI316L/304(forged)
- Washer and gasket: EPDM which conforms to FDA 177.2600
- Handle: AISI304/PP
- Surface finishing: Ra=0.8

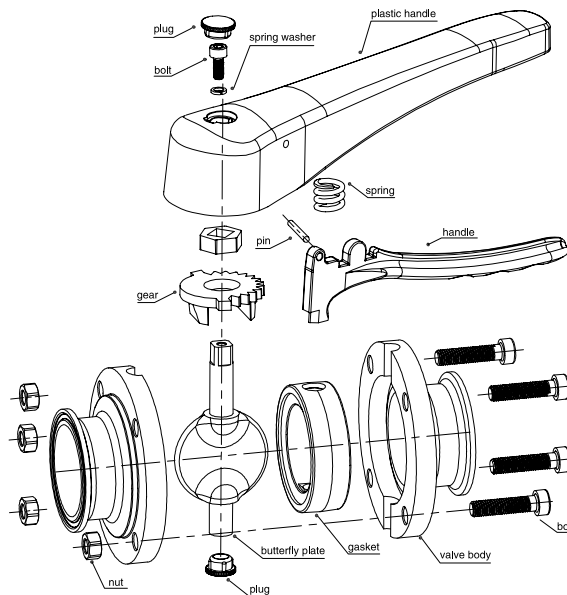
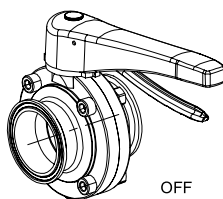
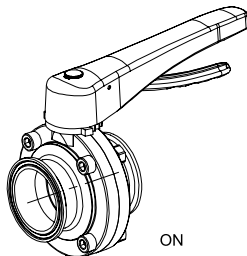
Options

- The material of gasket contains NBR, VMQ or FPM, which all confirm to standard of FDA 177.2600
- Connection: weld, clamp, thread, single weld singlethread, flange
- Handle: two-position handle, three-position handle, four-position pull rod handle, multi-position plastic handle and multi-position stainless steel handle, DIN, SMS, RJT, ISO, IDF, 3A
- Actuator: pneumatic stainless steel actuator, pneumatic aluminum actuator, electric actuator
- Control: position sensor.

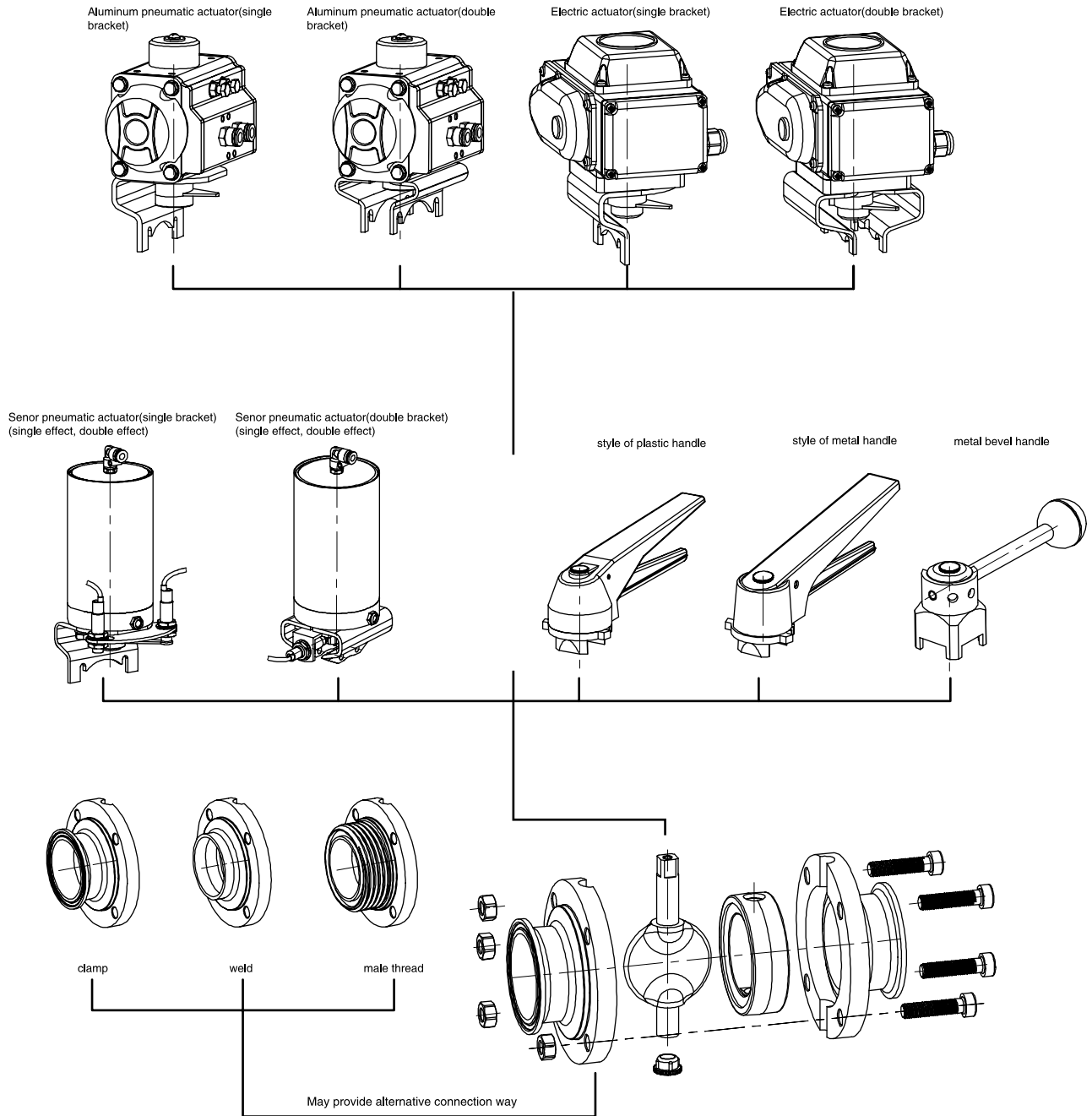
Butterfly Valve With Pull Rod Handle



Butterfly Valve With Multi-Position Handle

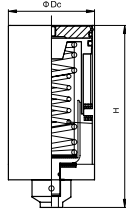


Different Ways of Drive And Styles Of Handle



The butterfly valve is water valve, that is to say, it just can be clamped by two pieces of flanges. Operators can choose any flanges with different pressure.
 The way of drive: manually, pneumatically, electrically
 Sealing material: EPDM, FPM, SILICON

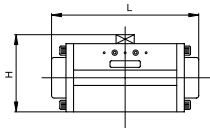
Stainless Steel Pneumatic Actuator



W5001

Size	Dc	H	match with butterfly valve		match with ball valve	
Φ85	85.0	180.5	DN20-DN100	1"-4"	DN20-DN50	1"-2"
Φ108	108	223	DN125-DN150	5"-6"	DN65-DN80	2.5"-3"
Φ133	133	400	DN200	8"	DN100	4"

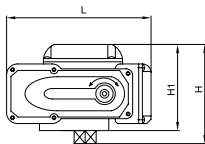
Aluminium Pneumatic Actuator



W5002

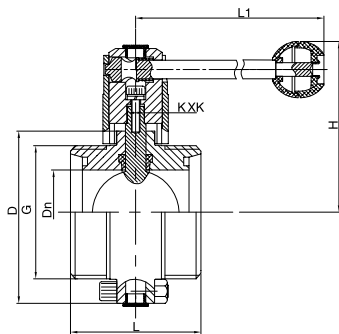
Size	H	L	match with butterfly valve		match with ball valve	
AT1	91.0	131.0	DN20-DN40	19"-45"	DN15-DN25	1/2"-1"
AT2	112.0	185.0	DN50-DN100	2"-4"	DN32-DN50	1 1/4"-2"
AT3	128.0	230.0	DN125	5"	DN65-DN80	2 1/2"-3"
AT4	154.0	290.0	DN150-DN200	6"-8"	DN100	3 1/2"-4"

Electric Actuator



W5003

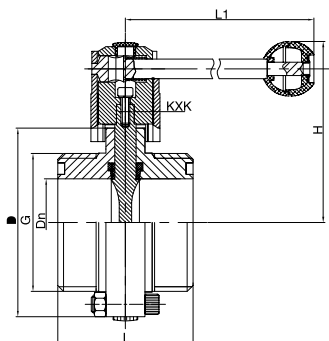
Size	L	H	H1	match with butterfly valve		match with ball valve	
HL-05	157.5	115.0	103.0	DN20-DN100	1"-4"	DN20-DN50	1"-2"
HL-10	208.0	124.0	115.0	DN125-DN200	5"-8"	DN65-DN80	2.5"-3"
HL-20	280.0	135.0	109.0			DN100	4"



W5004

Threaded Butterfly Valve(DIN)

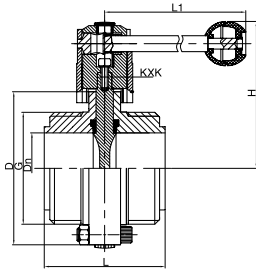
Size	DN	D	L	L1	H	G	KXK
DN10	10	78	66	126	86	RD28x1/8	8x8
DN15	15	78	66	126	86	RD34x1/8	8x8
DN20	19	78	66	126	86	RD44x1/6	8x8
DN25	25	78	66	126	86	RD52x1/6	8x8
DN32	31	86	70	126	90	RD58x1/6	8x8
DN40	37	90	74	126	92	RD65x1/6	8x8
DN50	49	106	76	133	104	RD78x1/6	10x10
DN65	66	124	80	144	113	RD95x1/6	10x10
DN80	81	139	84	160	123.5	RD110x1/4	11x11
DN100	100	159	104	160	133.5	RD130x1/4	11x11
DN125	125	185	130	220	146.5	RD160x1/4	11x11
DN150	150	215	150	220	161.5	RD190x1/4	11x11



W5005

Threaded Butterfly Valve(SMS)

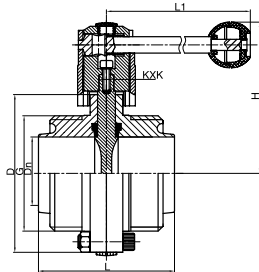
Size	DN	D	L	L1	H	G	KXK
Φ19	16	78	66	126	86	RD36x1/8	8x8
Φ25	22.4	78	66	126	86	RD40x1/6	8x8
Φ32	28.8	78	66	126	86	RD48x1/6	8x8
Φ38	35.1	86	70	126	90	RD60x1/6	8x8
Φ51	47.8	102	76	133	102	RD70x1/6	10x10
Φ63	59.5	115	80	144	109	RD85x1/6	10x10
Φ76	72.2	128	84	144	115	RD98x1/6	10x10
Φ89	85	139	86	160	123.5	RD110x1/6	11x11
Φ102小	97.6	154	104	160	131	RD125x1/6	11x11
Φ102大	97.6	159	104	160	133.5	RD132x1/6	11x11



W5006

Threaded Butterfly Valve(ISO/IDF)

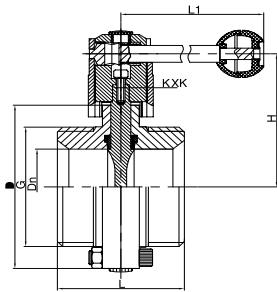
Size	DN	D	L	L1	H	G	KXK
1"	22.4	78	72	126	86	37.1x1/8Acme	8x8
1 1/2"	35.1	86	76	126	90	50.6x1/8Acme	8x8
2"	47.8	102	82	133	102	64.1x1/8Acme	10x10
2 1/2"	59.5	115	86	144	109	77.6x1/8Acme	10x10
3"	72.2	128	90	144	115	91.1x1/8Acme	10x10
4"(ISO)	97.6	154	110	160	131	118.2x1/8Acme	11x11
4"(IDF)	97.6	154	110	160	131	125.9x1/6Acme	11x11



W5007

Threaded Butterfly Valve(RJT)

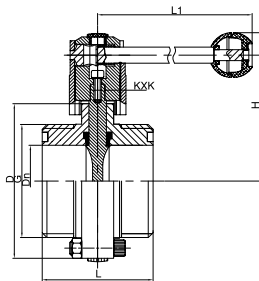
Size	DN	D	L	L1	H	G	KXK
1"	22.2	78	80	126	86	45.7x1/8TWHIT	8x8
1 1/2"	34.9	86	80	126	90	58.4x1/8TWHIT	8x8
2"	47.6	102	84	133	102	72.7x1/6TWHIT	10x10
2 1/2"	60.3	115	84	144	109	85.4x1/6TWHIT	10x10
3"	73.0	128	84	144	115	98.1x1/6TWHIT	10x10
4"	97.5	154	104	160	131	123.8x1/6TWHIT	11x11
6"	148	215	150	220	161.5	174.3x1/6TWHIT	11x11



W5008

Threaded Butterfly Valve(3A)

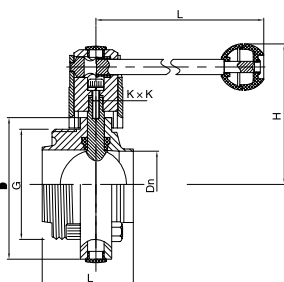
Size	DN	D	L	L1	H	G	KXK
1"	22.1	78	66	126	86	37.1x1/8Acme	8x8
1 1/4"	28.8	78	70	126	86	45.9x1/8Acme	8x8
1 1/2"	34.8	86	70	126	90	50.6x1/8Acme	8x8
2"	47.5	102	76	133	102	64.1x1/8Acme	10x10
2 1/2"	60.2	115	80	144	109	77.6x1/8Acme	10x10
3"	72.9	128	84	144	115	91.1x1/8Acme	10x10
4"	97.4	154	104	160	131	119.2x1/6Acme	11x11



W5009

Threaded Butterfly Valve(DS)

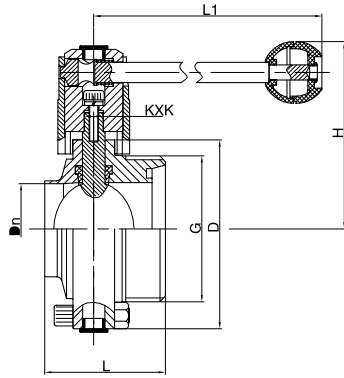
Size	DN	D	L	L1	H	G	KXK
1"	22.4	78	66	126	86	RD44x1/6	8x8
1 1/4"	28.8	78	66	126	86	RD52x1/6	8x8
1 1/2"	35.1	86	70	126	90	RD58x1/6	8x8
2"	47.8	102	76	133	102	RD72x1/6	10x10
2 1/2"	59.5	115	80	144	109	RD88x1/6	10x10
3"	72.2	128	84	144	115	RD100x1/6	10x10
4"	97.6	154	104	160	131	RD130x1/4	11x11



W5010

Male / Welded Butterfly Valve(RJT)

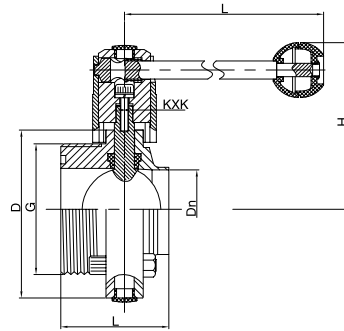
Size	DN	D	L	L1	H	G	KXK
1"	22.2	78	65	126	86	45.7x1/8TWHIT	8x8
1 1/2"	34.9	86	65	126	90	58.4x1/8TWHIT	8x8
2"	47.6	102	68	133	102	72.7x1/6TWHIT	10x10
2 1/2"	60.3	115	70	144	109	85.4x1/6TWHIT	10x10
3"	73.0	128	70	144	115	98.1x1/6TWHIT	10x10
4"	97.5	154	84	160	131	123.8x1/6TWHIT	11x11
6"	148	215	120	220	161.5	174.3x1/6TWHIT	



W5011

Male / Welded Butterfly Valve(DIN)

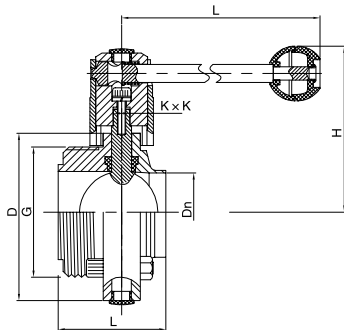
Size	DN	D	L	L1	H	G	KXK
DN10	10	78	58	126	86	RD28x1/8	8x8
DN15	15	78	58	126	86	RD34x1/8	8x8
DN20	19	78	58	126	86	RD44x1/6	8x8
DN25	25	78	58	126	86	RD52x1/6	8x8
DN32	31	86	60	126	90	RD58x1/6	8x8
DN40	37	90	62	126	92	RD65x1/6	8x8
DN50	49	106	64	133	104	RD78x1/6	10x10
DN65	66	124	68	144	113	RD95x1/6	10x10
DN80	81	139	72	160	123.5	RD110x1/4	11x11
DN100	100	159	84	160	133.5	RD130x1/4	11x11
DN125	125	185	105	220	146.5	RD160x1/4	11x11
DN150	150	215	120	220	161.5	RD190x1/4	11x11



W5012

Male / Welded Butterfly Valve(SMS)

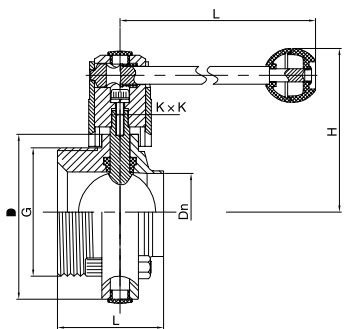
Size	DN	D	L	L1	H	G	KXK
Φ19	16	78	58	126	86	RD36x1/8	8x8
Φ25	22.4	78	58	126	86	RD40x1/6	8x8
Φ32	28.8	78	58	126	86	RD48x1/6	8x8
Φ38	35.1	86	60	126	90	RD60x1/6	8x8
Φ51	47.8	102	64	133	102	RD70x1/6	10x10
Φ63	59.5	115	68	144	109	RD85x1/6	10x10
Φ76	72.2	128	70	144	115	RD98x1/6	10x10
Φ89	85	139	73	160	123.5	RD110x1/6	11x11
Φ102min	97.6	154	84	160	131	RD125x1/6	11x11
Φ102max	97.6	159	84	160	133.5	RD132x1/6	11x11



W5013

Male / Welded Butterfly Valve(ISO/IDF)

Size	DN	D	L	L1	H	G	KXK
1"	22.4	78	61	126	86	37.1x1/8Acme	8x8
1 1/2"	35.1	86	63	126	90	50.6x1/8Acme	8x8
2"	47.8	102	67	133	102	64.1x1/8Acme	10x10
2 1/2"	59.5	115	71	144	109	77.6x1/8Acme	10x10
3"	72.2	128	73	144	115	91.1x1/8Acme	10x10
4"(ISO)	97.6	154	87	160	131	118.2x1/8Acme	11x11
4"(IDF)	97.6	154	87	160	131	125.9x1/6Acme	11x11



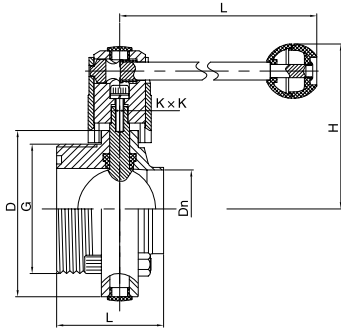
W5014

Male / Welded Butterfly Valve(3A)

Size	DN	D	L	L1	H	G	KXK
1"	22.1	78	58	126	86	37.1x1/8Acme	8x8
1 1/4"	28.8	78	60	126	86	45.9x1/8Acme	8x8
1 1/2"	34.8	86	60	126	90	50.6x1/8Acme	8x8
2"	47.5	102	64	133	102	64.1x1/8Acme	10x10
2 1/2"	60.2	115	68	144	109	77.6x1/8Acme	10x10
3"	72.9	128	70	144	115	91.1x1/8Acme	10x10
4"	97.4	154	84	160	131	119.2x1/6Acme	11x11

W5015

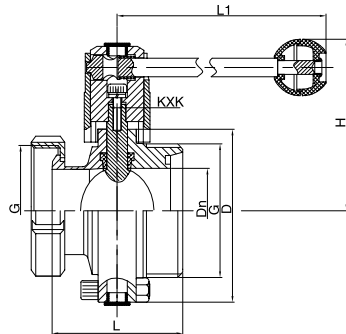
Male / Welded Butterfly Valve(DS)



Size	DN	D	L	L1	H	G	KXX
1"	22.4	78	58	126	86	RD44x1/6	8x8
1 1/4"	28.8	78	58	126	86	RD52x1/6	8x8
1 1/2"	35.1	86	60	126	90	RD58x1/6	8x8
2"	47.8	102	64	133	102	RD72x1/6	10x10
2 1/2"	59.5	115	68	144	109	RD88x1/6	10x10
3"	72.2	128	70	144	115	RD100x1/6	10x10
4"	97.6	154	84	160	131	RD130x1/4	11x11

W5016

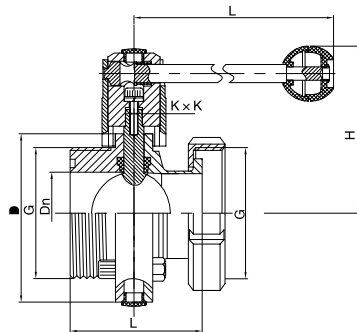
Male / Nut Butterfly Valve(DIN)



Size	DN	D	L	L1	H	G	KXX
DN10	10	78	75	126	86	RD28x1/8	8x8
DN15	15	78	75	126	86	RD34x1/8	8x8
DN20	19	78	76	126	86	RD44x1/6	8x8
DN25	25	78	80	126	86	RD52x1/6	8x8
DN32	31	86	85	126	90	RD58x1/6	8x8
DN40	37	90	88	126	92	RD65x1/6	8x8
DN50	49	106	92	133	104	RD78x1/6	10x10
DN65	66	124	100	144	113	RD95x1/6	10x10
DN80	81	139	109	160	123.5	RD110x1/4	11x11
DN100	100	159	128	160	133.5	RD130x1/4	11x11
DN125	125	185	139	220	146.5	RD160x1/4	11x11
DN150	150	215	157	220	161.5	RD190x1/4	11x11

W5017

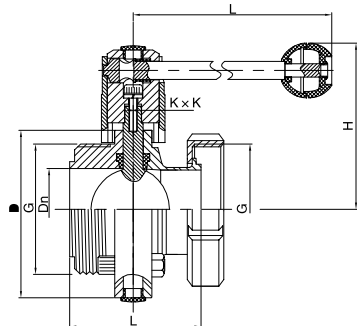
Male / Nut Butterfly Valve(SMS)



Size	DN	D	L	L1	H	G	KXX
Φ19	16	78	70	126	86	RD36x1/8	8x8
Φ25	22.4	78	73	126	86	RD40x1/6	8x8
Φ32	28.8	78	78	126	86	RD48x1/6	8x8
Φ38	35.1	86	80	126	90	RD60x1/6	8x8
Φ51	47.8	102	84	133	102	RD70x1/6	10x10
Φ63	59.5	115	89	144	109	RD85x1/6	10x10
Φ76	72.2	128	91	144	115	RD98x1/6	10x10
Φ89	85	139	94	160	123.5	RD110x1/6	11x11
Φ102min	97.6	154	105	160	131	RD125x1/6	11x11
Φ102max	97.6	159	105	160	133.5	RD132x1/6	11x11

W5018

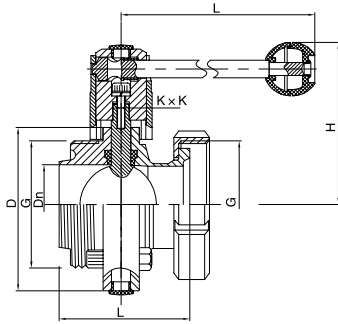
Male / Nut Butterfly Valve(ISO/IDF)



Size	DN	D	L	L1	H	G	KXX
1"	22.4	78	82.5	126	86	37.1x1/8Acme	8x8
1 1/2"	35.1	86	84.5	126	90	50.6x1/8Acme	8x8
2"	47.8	102	88.5	133	102	64.1x1/8Acme	10x10
2 1/2"	59.5	115	92.5	144	109	77.6x1/8Acme	10x10
3"	72.2	128	94.5	144	115	91.1x1/8Acme	10x10
4"(ISO)	97.6	154	108.5	160	131	118.2x1/8Acme	11x11
4"(IDF)	97.6	154	117	160	131	125.9x1/6Acme	11x11

W5019

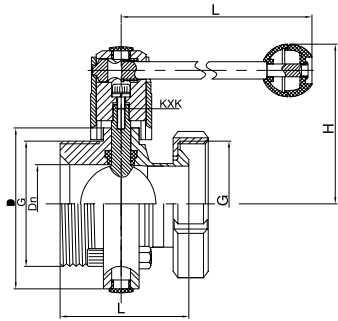
Male / Nut Butterfly Valve(RJT)



Size	DN	D	L	L1	H	G	KXK
1"	22.2	78	77.7	126	86	45.7x1/8TWHIT	8x8
1 1/2"	34.9	86	77.7	126	90	58.4x1/8TWHIT	8x8
2"	47.6	102	80.7	133	102	72.7x1/6TWHIT	10x10
2 1/2"	60.3	115	82.7	144	109	85.4x1/6TWHIT	10x10
3"	73.0	128	82.7	144	115	98.1x1/6TWHIT	10x10
4"	97.5	154	109.4	160	131	123.8x1/6TWHIT	11x11
6"	148	215	143.5	220	161.5	174.3x1/6TWHIT	11x11

W5020

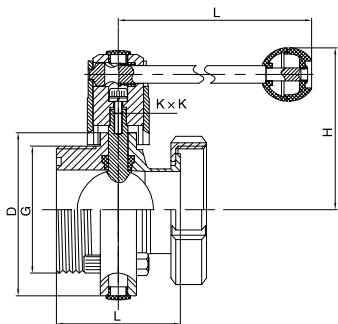
Male / Nut Butterfly Valve(3A)



Size	DN	D	L	L1	H	G	KXK
1"	22.1	78	92.9	126	86	37.1x1/8Acme	8x8
1 1/4"	28.8	78	94.9	126	86	45.9x1/8Acme	8x8
1 1/2"	34.8	86	98.1	126	90	50.6x1/8Acme	8x8
2"	47.5	102	102.1	133	102	64.1x1/8Acme	10x10
2 1/2"	60.2	115	112.5	144	109	77.6x1/8Acme	10x10
3"	72.9	128	114.5	144	115	91.1x1/8Acme	10x10
4"	97.4	154	128.5	160	131	119.2x1/6Acme	11x11

W50211

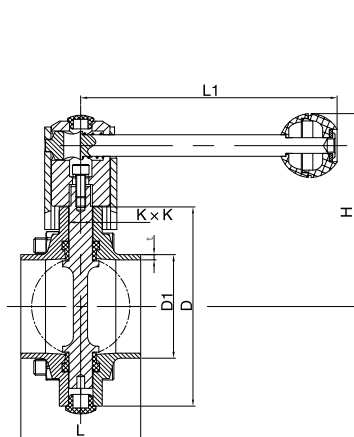
Male / Nut Butterfly Valve(DS)



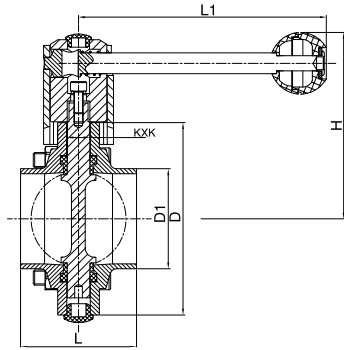
Size	DN	D	L	L1	H	G	KXK
1"	22.4	78	74	126	86	RD44x1/6	8x8
1 1/4"	28.8	78	74	126	86	RD52x1/6	8x8
1 1/2"	35.1	86	78	126	90	RD58x1/6	8x8
2"	47.8	102	84	133	102	RD72x1/6	10x10
2 1/2"	59.5	115	90	144	109	RD88x1/6	10x10
3"	72.2	128	94	144	115	RD100x1/6	10x10
4"	97.6	154	114	160	131	RD130x1/4	11x11

W5022

Welded Butterfly Valve(DIN)



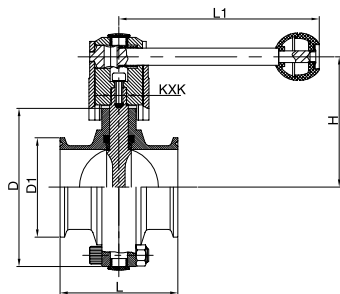
Size	D1		D	L	L1	H	T	KXK
	1	2						
DN10	12	13	78	50	126	86	1.5	8x8
DN15	18	19	78	50	126	86	1.5	8x8
DN20	22	23	78	50	126	86	1.5	8x8
DN25	28	29	78	50	126	86	1.5	8x8
DN32	34	35	86	50	126	90	1.5	8x8
DN40	40	41	90	50	126	92	1.5	8x8
DN50	52	53	106	52	133	104	1.5	10x10
DN65	70	-	124	56	144	113	2.0	10x10
DN80	85	-	139	60	160	123.5	2.0	11x11
DN100	104	-	159	64	160	133.5	2.0	11x11
DN125	129	-	185	80	220	146.5	2.0	11x11
DN150	154	-	215	90	220	161.5	2.0	11x11
DN200	204	-	285	90	284	199	2.0	14x14



W5023

Welded Butterfly Valve(3A, SMS, ISO, DS)

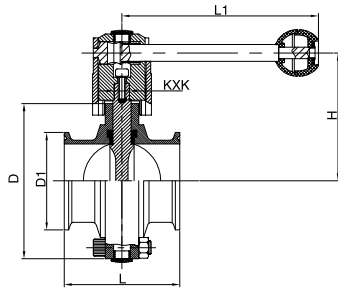
Size	D1	D	L	L1	H	KXK
1/2"	12.7	78	50	126	86	8x8
3/4"	19	78	50	126	86	8x8
1"	25.4	78	50	126	86	8x8
1 1/4"	31.8	78	50	126	86	8x8
1 1/2"	38.1	86	50	126	90	8x8
45	45	90	50	126	92	8x8
48	48	95	52	126	95	8x8
2"	50.8	102	52	133	102	10x10
57	57	106	52	144	104	10x10
2 1/2"	63.5	115	56	144	109	10x10
3"	76.2	128	56	144	115	10x10
3.5"	89	139	60	144	123.5	11x11
4"	102	154	64	144	131	11x11
108	108	159	64	160	133.5	11x11
114	114.3	185	80	160	133.5	11x11
5"	127	185	80	220	146.5	11x11
133	133	215	80	220	146.5	11x11
6"	152.4	215	90	220	161.5	11x11
159	159	215	90	220	161.5	11x11
168.3	168.3	215	90	220	161.5	11x11
8"	203.2	285	90	284	199	14x14
219	219	285	90	284	199	



W5024

Clamped Butterfly Valve(DIN)

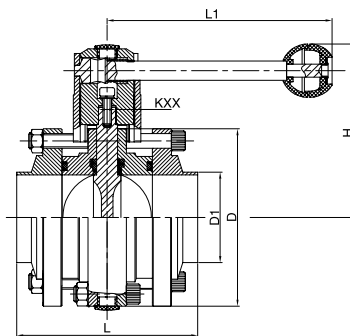
Size	D1	D	L	L1	H	KXK
DN10	34	78	66	126	86	8x8
DN15	34	78	66	126	86	8x8
DN20	34	78	66	126	86	8x8
DN25	50.5	78	66	126	86	8x8
DN32	50.5	78	66	126	86	8x8
DN40	50.5	86	70	126	90	8x8
DN50	64	102	76	133	102	10x10
DN65	91	120	80	144	111	10x10
DN80	106	134	84	160	121	11x11
DN100	119	154	104	160	131	11x11
DN125	144.5	185	122	220	146.5	11x11
DN125	155	185	122	220	146.5	11x11
DN150	167	215	146	220	161.5	11x11
DN150	183	215	146	220	161.5	11x11
DN200	217.4	285	166	284	199	14x14
DN200	233.5	285	166	284	199	14x14



W5025

Clamped Butterfly Valve(3A, SMS, ISO, DS)

Size	D1	D	L	L1	H	KXX
1/2"	25.4	78	66	126	86	8x8
3/4"	25.4	78	66	126	86	8x8
1"	50.5	78	66	126	86	8x8
1 1/4"	50.5	78	66	126	86	8x8
1 1/2"	50.5	86	70	126	90	8x8
45	64	90	74	126	92	8x8
48	64	95	76	126	95	8x8
2"	64	102	76	133	102	10x10
57	77.5	106	76	144	104	10x10
2 1/2"	77.5	115	80	144	109	10x10
3"	91	128	84	144	115	10x10
3.5"	106	139	86	144	123.5	11x11
4"	119	154	104	144	131	11x11
108	119	159	106	160	133.5	11x11
114	130	159	106	160	133.5	11x11
5"	144.5	185	122	220	146.5	11x11
133	155	185	122	220	146.5	11x11
6"	167	215	146	220	161.5	11x11
159	183	215	146	220	161.5	11x11
168.3	183	215	146	220	161.5	11x11
8"	217.4	285	166.8	284	199	14x14
219	233.5	285	166.8	284	199	



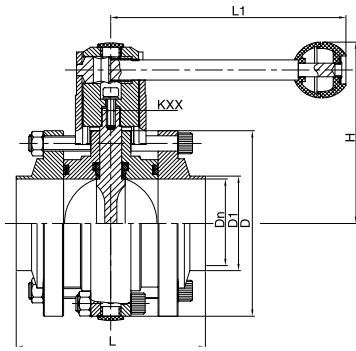
W5026

Three-Piece Butterfly Valve(3A, SMS, ISO, DS)

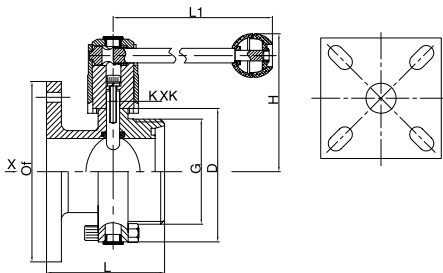
SIZE	D1	D	L	L1	H	KXX
1/2"	12.7	78	100	126	86	8X8
3/4"	19	78	100	126	86	8X8
1"	25.4	78	100	126	86	8X8
1 1/4"	31.8	78	100	126	86	8X8
1 1/2"	38.1	86	100	126	90	8X8
45	45	90	100	126	92	8X8
2"	50.8	102	104	133	102	10X10
57	57	102	104	144	104	10X10
2 1/2"	63.5	115	112	144	109	10X10
3"	76.2	128	112	144	115	10X10
3.5"	89	139	120	144	123.5	11X11
4"	101.6	154	128	144	131	11X11
108	108	159	128	160	133.5	11X11
114	114.3	159	128	160	133.5	11X11
5"	127	185	160	220	146.5	11X11
133	133	185	160	220	146.5	11X11
6"	152.4	215	180	220	161.5	11X11
159	159	215	180	220	161.5	11X11
168.3	168.3	215	180	220	161.5	11X11
8"	203.2	285	180	284	199	14X14
219	219	285	180	284	199	14X14

W5027

Three-Piece Butterfly Valve(DIN)



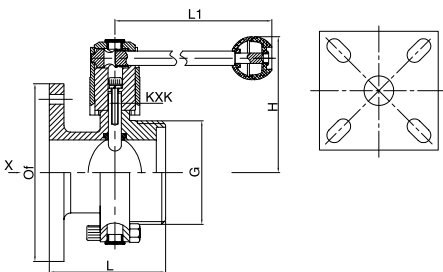
SIZE	D1		D	L	L1	H	t	KXX
	1	2						
DN10	12	13	78	100	126	86	1.5	8X8
DN15	18	19	78	100	126	86	1.5	8X8
DN20	22	23	78	100	126	86	1.5	8X8
DN25	28	29	78	100	126	86	1.5	8X8
DN32	34	35	78	100	126	86	1.5	8X8
DN40	40	41	90	100	126	92	1.5	8X8
DN50	52	53	102	104	133	102	1.5	10X10
DN65	70	-	120	112	144	111	2.0	10X10
DN80	85	-	134	120	160	121	2.0	11X11
DN100	104	-	154	128	160	131	2.0	11X11
DN125	129	-	185	160	220	146.5	2.0	11X11
DN150	154	-	215	180	220	161.5	2.0	11X11
DN200	204	-	285	180	284	199	2.0	14X14



W5028

Square Flange/ Threaded Butterfly Valve(DIN)

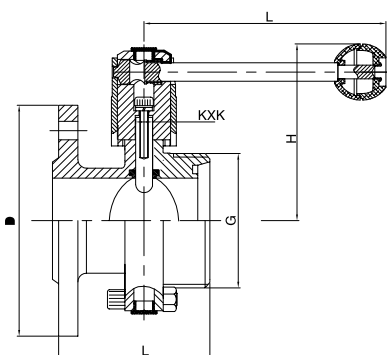
SIZE	D	Of	L	L1	H	KXX	G
DN15	78	100X100	68	126	86	8X8	RD34X1/8
DN20	78	100X100	68	126	86	8X8	RD44X1/6
DN25	78	100X100	68	126	86	8X8	RD52X1/6
DN32	86	100X100	70	126	90	8X8	RD58X1/6
DN40	90	100X100	72	126	92	8X8	RD65X1/6
DN50	106	100X100	74	133	104	10X10	RD78X1/6
DN65	124	120X120	80	144	113	10X10	RD95X1/6
DN80	139	140X140	85	160	123.5	11X11	RD110X1/4
DN100	159	140X140	96	160	133.5	11X11	RD130X1/4



W5029

Square Flange /Threaded Butterfly Valve(FIL)

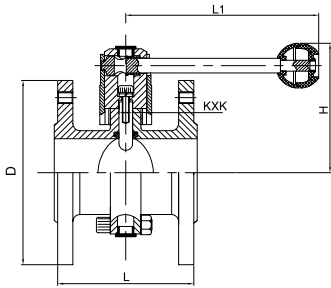
SIZE	Of	L	L1	H	KXX	G
DN40	100X100	69	126	92	8X8	55X3
DN50	100X100	69	133	104	10X10	67X3
DN65	120X120	71	144	113	10X10	90X3.5
DN80	140X140	88	160	123.5	11X11	104X4
DN100	140X140	94	160	133.5	11X11	125X4



W5030

Round Flange/Threaded Butterfly Valve(DIN)

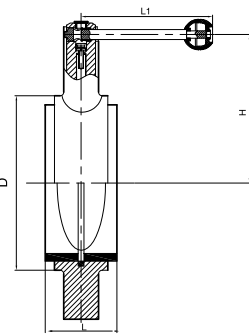
SIZE	D	G(Rd)	L	L1	H	KXX
DN25	115	RD52X1/6	80	126	80	8X8
DN32	135	RD58X1/6	86	126	80	8X8
DN40	145	RD65X1/6	92	126	86	8X8
DN50	160	RD78X1/6	94	133	106	10X10
DN65	180	RD95X1/6	104	144	115	10X10
DN80	195	RD110X1/4	110	160	122	11X11
DN100	215	RD130X1/4	130	160	132	11X11
DN125	245	RD160X1/4	154	220	147	11X11
DN150	280	RD190X1/4	174	220	162	11X11



W5031

Flanged Butterfly Valve

SIZE	D	L	L1	H	KxK
DN25	115	94	126	80	8X8
DN32	135	102	126	80	8X8
DN40	145	110	126	86	8X8
DN50	160	112	133	106	10X10
DN65	180	124	144	115	10X10
DN80	195	130	160	122	11X11
DN100	215	152	160	132	11X11
DN125	245	178	220	147	11X11
DN150	280	198	220	162	11X11

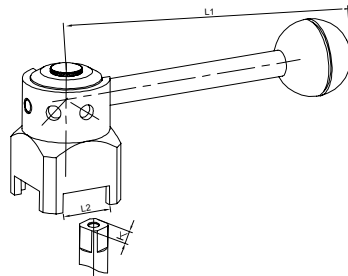
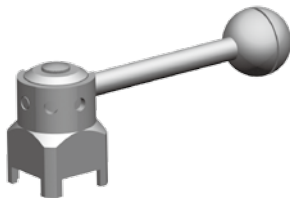


W5032

D71 wafer butterfly valve

SIZE	D	L	L1	H
DN40	85	38	124	122
DN50	95	39	130	127
DN65	107	42	130	133
DN80	125	43	140	142
DN100	156	46	158	158
DN125	180	55	220	160
DN150	205	55	220	170
DN200	250	60	280	210

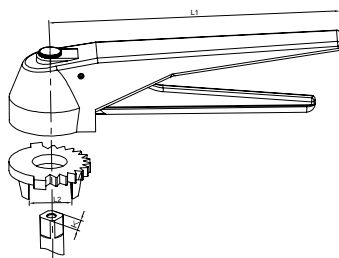
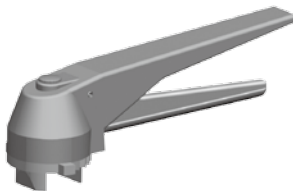
Handles Suitable For All Kinds Of Butterfly Valves



W5033

Pulling Handle

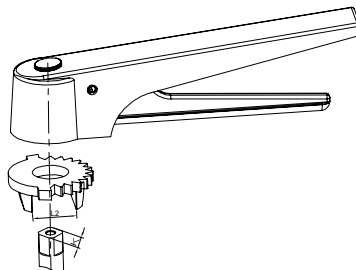
Size	L1	L2	KxK
DN10-DN40	0.5"-1.5"	126	20.2
DN50	2"	133	20.2
DN65	2.5"-3"	144	22.2
DN80-DN100	3.5"-4"	160	22.2
DN125-DN150	5"-6"	220	22.2
DN200	8"	284	30.2



W5034

Plastic Multi-Position Handle

Size	L1	L2	KxK
DN10-DN40	0.5"-1.5"	150	20.2
DN50-DN65	2"-3"	150	20.2
DN80-DN100	3.5"-4"	150	22.2



W5035

Stainless Steel Multi-Position Handle

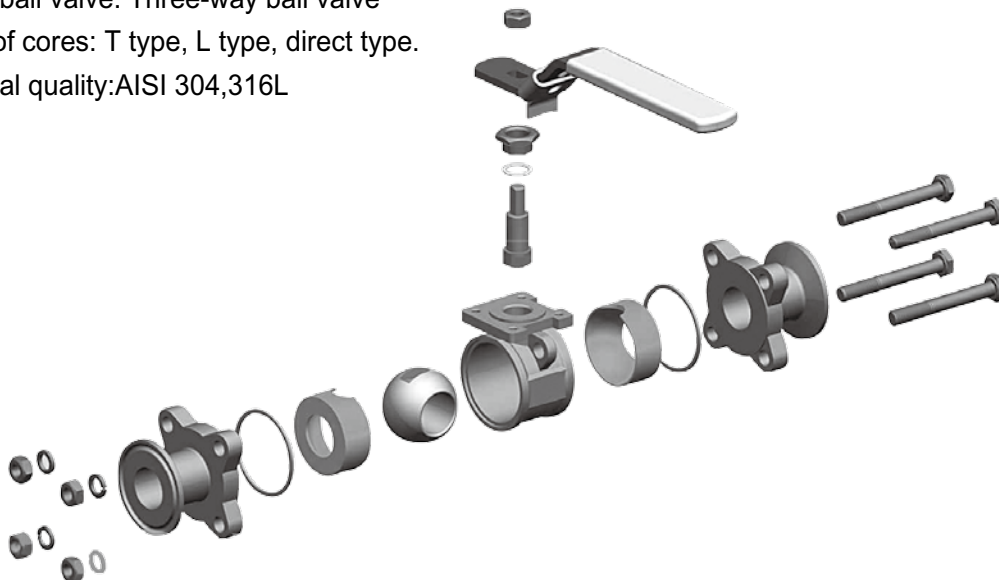
Size	L1	L2	KxK
DN15-DN40	0.5"-1.5"	155	20.2
DN50-DN65	2"-3"	155	20.2
DN80-DN150	3.5"-6"	155	22.2
DN200	8"	230	30.2

Applications

It Is Widely Used In Beverage, Brewing, Oil Refinery, Cosmetic, Chemical Industries.

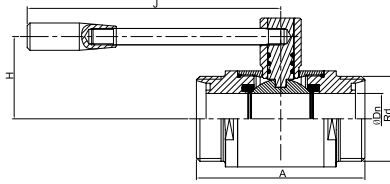
Design and features

- Free of maintenances
- Compact and portable
- Small operating torque
- Gasket complies with PTFE FDA 177.2600
- Hand lever can be installed on the side of the valve body, no matter of the flow direction.
- Connection ends: thread, clamp, weld, flange, DIN, SMS, RJT, FIL.
- It can match with pneumatic and electric actuators.
- Material for the part contacted with media is AISI 304/316L. Other part is AISI 304
- Type of valves: One way ball valve, three-piece ball valve. Three-way ball valve
- Type of cores: T type, L type, direct type.
- Material quality:AISI 304,316L



Operating torque(N.m.)

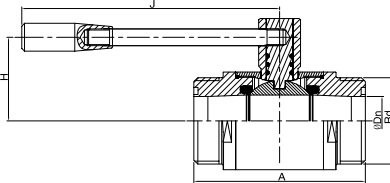
	DN10- DN20	DN25	DN32	DN40	DN50	2.5"	DN65	DN80	DN100
Dry test	1/2"-3/4"	1"	1 1/4"	1 1/2"	2"	25	30	3"	4"
	8	8"	10	12	17			40	70



W5036

Direct Way Threaded Ball Valve (DIN)

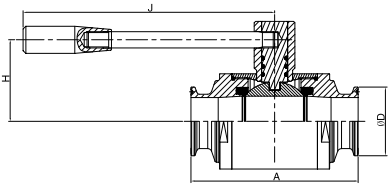
Size	Rd	Dn	A	H	J	N.W
DN10	Rd28×1/8"	10	95	40	124	820
DN15	Rd34×1/8"	15	95	40	124	850
DN20	Rd44×1/6"	19	95	40	124	945
DN25	Rd52×1/6"	25	100	48	146	1300
DN32	Rd58×1/6"	31	108	50	146	1740
DN40	Rd65×1/6"	37	115	60	185	2160
DN50	Rd78×1/6"	49	136	68	185	2960
DN65	Rd95×1/6"	66	161	89	243	5100
DN80	Rd110×1/4"	81	180	100	243	7390
DN100	Rd130×1/4"	100	204	115.5	273	11120



W5037

Direct Way Threaded Ball Valve (SMS)

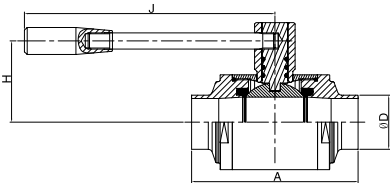
Size	Rd	Dn	A	H	J	N.W
1/2"	Rd36×1/8"	9.7	95	40	124	945
3/4"	Rd36×1/8"	16	95	40	124	900
1"	Rd40×1/6"	22.4	100	48	146	1200
1 1/4"	Rd48×1/6"	28.8	108	50	185	1600
1 1/2"	Rd60×1/6"	35.1	115	60	185	2340
2"	Rd70×1/6"	47.8	136	68	185	2860
2 1/2"	Rd85×1/6"	59.5	150	80	205	4560
3"	Rd98×1/6"	72.2	172	94	243	6200
4"	Rd125×1/4"	97.6	204	115.5	273	



W5038

Direct Way Clamped Ball Valve(ISO IDF SMS 3A DS)

Size	D	A	H	J	N.W
1/2"	25.4	95	40	124	810
3/4"	25.4	95	40	124	780
1"	50.5	100	48	146	1265
1 1/4"	50.5	108	50	185	1520
1 1/2"	50.5	115	60	185	2000
2"	64	136	68	185	2685
2 1/2"	77.5	150	80	205	4115
3"	91	172	94	243	5625
4"	119	204	115.5	273	



W5039

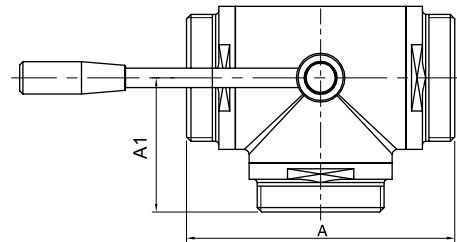
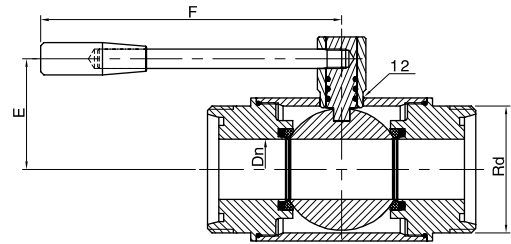
Direct Way Welded Ball Valve(ISO IDF SMS 3A DS)

Size	D	A	H	J
1/2"	12.7	95	40	124
3/4"	19.1	95	40	124
1"	25.4	100	48	146
1 1/4"	31.8	108	50	185
1 1/2"	38.1	115	60	185
2"	50.8	136	68	185
2 1/2"	63.5	150	80	205
3"	76.2	172	94	243
4"	101.6	204	115.5	

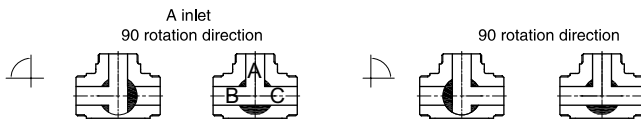


W5040 Three-Way Threaded Ball Valve(DIN)

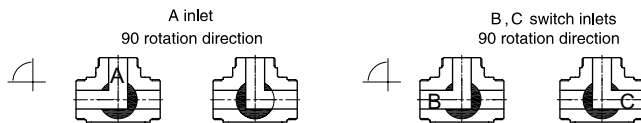
SIZE	Dn	Rd	A	A1	E	F
DN25	25	Rd52x1/6"	136	68	53	146
DN32	31	Rd58x1/6"	138	70	54	185
DN40	37	Rd65x1/6"	156	80	65	185
DN50	49	Rd78x1/6"	170	90	72.5	243
DN65	66	Rd95x1/4"	204	107	94	243
DN80	81	Rd110x1/4"	230	123	107	273
DN100	100	Rd130x1/4"	264	142	123.5	



T type gateway

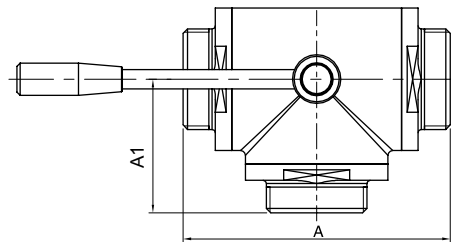
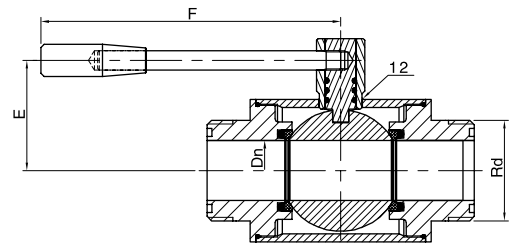


L type gateway

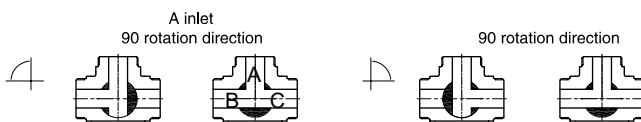


W5041 Three-Way Threaded Ball Valve(SMS)

SIZE	Dn	Rd	A	A1	E	F
1"	22.4	Rd40x1/6"	136	68	53	146
1 1/4"	28.8	Rd48x1/6"	138	70	54	185
1 1/2"	35.1	Rd60x1/6"	156	80	65	185
2"	47.8	Rd70x1/6"	170	90	72.5	243
2 1/2"	59.5	Rd85x1/6"	194	102	86	243
3"	72.2	Rd98x1/6"	220	118	99	243
4"	97.6	Rd125x1/4"	264	142	123.5	



T type gateway

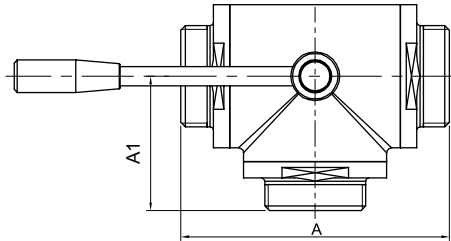
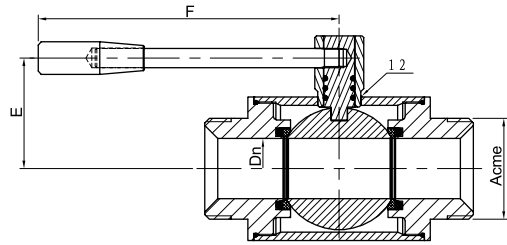


L type gateway

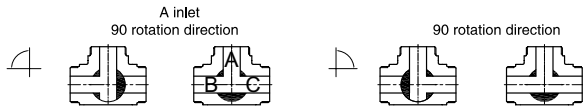


W5042 Three-Way Threaded Ball Valve (3A)

SIZE	Acme	A	Dn	E	F
1"	37.1x1/8"	136	22.1	53	146
1 1/4"	45.9x1/8"	138	28.8	54	185
1 1/2"	50.6x1/8"	156	34.8	65	185
2"	64.1x1/8"	170	47.5	72.5	243
2 1/2"	77.6x1/8"	194	60.2	86	243
3"	91.1x1/8"	220	72.9	99	243
4"	119.2x1/6"	264	97.4	123.5	



T type gateway



L type gateway



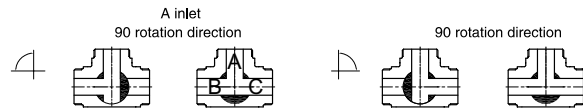
W5043 Three-Way Clamp Ball Valve(DIN)

SIZE	Dn	D	A	A1	E	F
DN25	25	50.5	136	68	53	146
DN32	31	50.5	138	71	54	185
DN40	37	50.5	156	80	65	185
DN50	49	64	170	90	72.5	243
DN65	66	91	204	107	94	243
DN80	81	106	226	123	107	273
DN100	100	119	264	142	123.5	

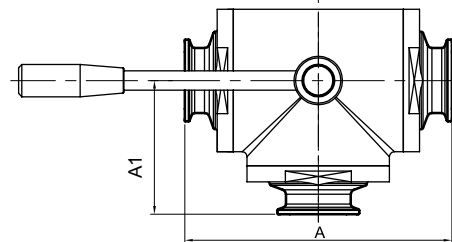
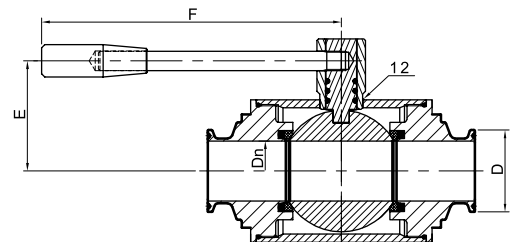
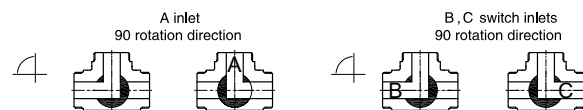
W5044 Three-Way Clamp Ball Valve(3A SMS ISO IDF BS)

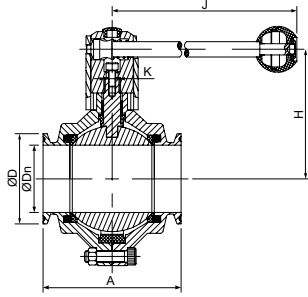
SIZE	Dn	D	A	A1	E	F
1"	22.4	50.5	136	68	53	185
1 1/4"	28.8	50.5	138	71	54	185
1 1/2"	35.1	50.5	156	80	65	185
2"	47.8	64	170	90	72.5	205
2 1/2"	59.5	77.5	194	102	86	243
3"	72.2	91	226	118	99	243
4"	97.6	119	264	142	123.5	273

T type gateway



L type gateway

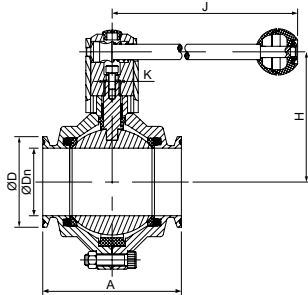




W5045

Clamped Butterfly-Type Ball Valve(DIN)

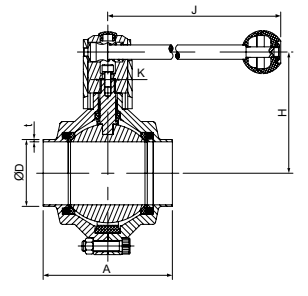
Size	Dn	D	A	H	J	K
DN15	15	34	72	86	126	8×8
DN20	19	34	72	86	126	8×8
DN25	25	50.5	72	90	126	8×8
DN32	31	50.5	83	92	126	8×8
DN40	37	50.5	87	104	133	10×10
DN50	49	64	101	113	144	10×10
DN65	66	91	125	131	160	11×11
DN80	81	106	145	144	220	11×11
DN100	100	119	170	161	284	14×14



W5046

Clamped Butterfly-Type Ball Valve(3A SMS ISO DS)

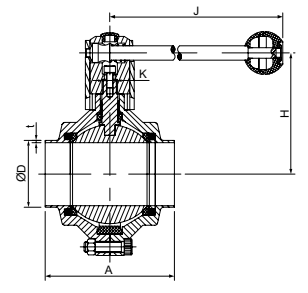
Size	D	A	H	J	K
3/4"	25.4	72	86	126	8×8
1"	50.5	72	90	126	8×8
1 1/4"	50.5	83	92	126	8×8
1 1/2"	50.5	87	104	133	10×10
2"	64	101	113	144	10×10
2 1/2"	77.5	121	128	160	11×11
3"	91	135	138	220	11×11
3 1/2"	106	140	144	220	11×11
4"	119	170	161	284	14×14



W5047

Welded Butterfly-Type Ball Valve(DIN)

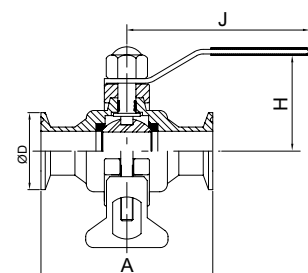
Size	D	t	A	H	J	K	
DN15	18	19	1.5	72	86	126	8×8
DN20	22	23	1.5	72	86	126	8×8
DN25	28	29	1.5	72	90	126	8×8
DN32	34	35	1.5	83	92	126	8×8
DN40	40	41	1.5	87	104	133	10×10
DN50	52	53	1.5	101	113	144	10×10
DN65	70	-	2	125	131	160	11×11
DN80	85	-	2	145	144	220	11×11
DN100	104	-	2	170	161	284	14×14



W5048

Welded Butterfly-Type Ball Valve(3A SMS ISO DS)

Size	D	A	H	J	K
3/4"	19.1	72	86	126	8×8
1"	25.4	72	90	126	8×8
1 1/4"	31.8	83	92	126	8×8
1 1/2"	38.1	87	104	133	10×10
2"	50.8	101	113	144	10×10
2 1/2"	63.5	121	128	160	11×11
3"	76.2	135	138	220	11×11
3 1/2"	89	140	144	220	11×11
4"	101.6	170	161	284	14×14



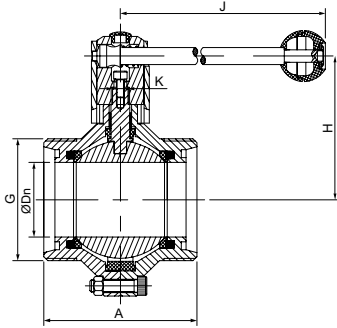
W5049

Sanitary Clamped Non-Retention Ball Valve
DIN W5050

Size	D	A	H	J
DN15	34	90	65	105
DN20	34	100	65	105
DN25	50.5	110	70	105
DN32	50.5	120	80	130
DN40	50.5	140	80	150
DN50	64	164	85	160
DN65	91	180	110	180

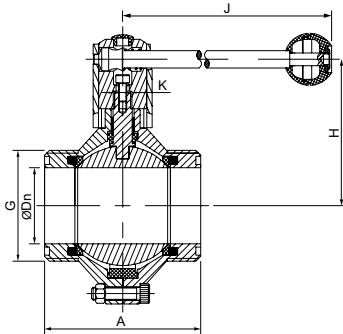
Size	D	A	H	J
3/4"	25.4	90	65	105
1"	50.5	110	70	105
1 1/4"	50.5	120	80	130
1 1/2"	50.5	140	80	150
2"	64	164	85	160
2 1/4"	77.5	170	110	180
2 1/2"	77.5	180	110	180

W5051 Threaded Butterfly-Type Ball Valve(DIN)



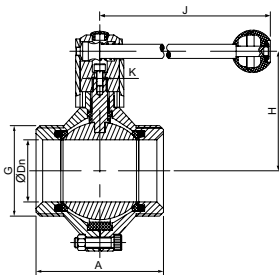
Size	Dn	G	A	H	J	K
DN15	15	Rd34×1/8	72	86	126	8×8
DN20	19	Rd44×1/6	72	86	126	8×8
DN25	25	Rd52×1/6	72	90	126	8×8
DN32	31	Rd58×1/6	83	92	126	8×8
DN40	37	Rd65×1/6	87	104	133	10×10
DN50	49	Rd78×1/6	101	113	144	10×10
DN65	66	Rd95×1/6	125	131	160	11×11
DN80	81	Rd110×1/4	145	144	220	11×11
DN100	100	Rd130×1/4	170	161	284	14×14

W5052 Threaded Butterfly-Type Ball Valve(SMS)



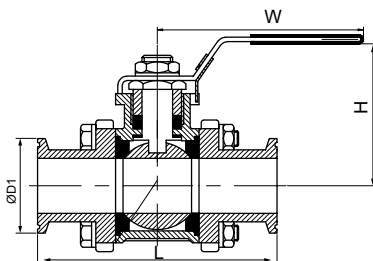
Size	Dn	G	A	H	J	K
φ 19	16	Rd36×1/8	72	86	126	8×8
φ 25	22.4	Rd40×1/6	72	90	126	8×8
φ 32	28.8	Rd48×1/6	83	92	126	8×8
φ 38	35.1	Rd60×1/6	87	104	133	10×10
φ 51	47.8	Rd70×1/6	101	113	144	10×10
φ 63	59.5	Rd85×1/6	121	128	160	11×11
φ 76	72.2	Rd98×1/6	135	138	220	11×11
φ 89	85	Rd105×1/6	140	144	220	11×11
φ 102 min	97.6	Rd125×1/4	170	161	284	14×14
φ 102 max	97.6	Rd132×1/6	170	161	284	14×14

W5053 Threaded Butterfly-Type Ball Valve(3A)



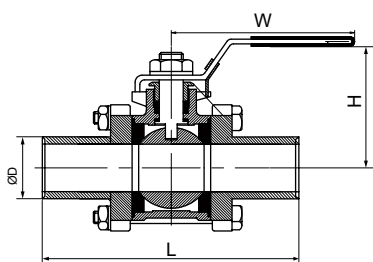
Size	Dn	G (Acme)	A	H	J	K
1"	22.1	37.1×1/8	72	90	126	8×8
1 1/4"	28.8	45.9×1/8	83	92	126	8×8
1 1/2"	34.8	50.6×1/8	87	104	133	10×10
2"	47.5	64.1×1/8	101	113	144	10×10
2 1/2"	60.2	77.6×1/8	121	128	160	11×11
3"	72.9	91.1×1/8	135	138	220	11×11
4"	97.4	119.2×1/6	170	161	284	14×14

W5054 Clamp Three-Piece Non-Retention Ball Valve



SIZE	D1	L	W	H	
1/2"	DN15	25.4	89	132	60
3/4"	DN20	25.4	101	132	64.5
1"	DN25	50.5	114	165	69
1 1/2"	DN40	50.5	138	194	89
2"	DN50	64	156	194	97
2 1/2"	DN65	77.5	170	252	127
3"	DN80	91	197	252	135
4"	DN100	119	242	332	159

W5055 Welded Three-Piece Non-Retention Ball Valve



SIZE		D1		L	W	H
Inch	DIN	Inch	DIN			
1/2"	DN15	12.7	18	89	132	60
3/4"	DN20	19	22	101	132	64.5
1"	DN25	25.4	28	114	165	69
1 1/2"	DN40	38.1	40	138	194	89
2"	DN50	50.8	52	156	194	97
2 1/2"	DN65	63.5	70	197	252	127
3"	DN80	76.2	85	229	252	135
4"	DN100	101.6	104	242	332	

Operating principle

- The valve opens when the pressure of the fluid exceeds the pressure exerted by the pump spring. When the two pressures are equalised, the valve closes. A stronger counter-pressure allows the valve to close.

Materials

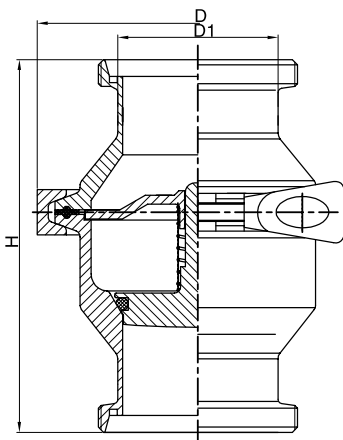
- Casing/shaft AISI 316L
- Spring AISI 301
- Seal EPDM according to FDA 177.2600
- Surface finishing Ra≤0.8µm

Options

- Seals in NBR, FPM (Viton) or PTFE. All of them according to FDA 177.2600
- Connections: weld, thread, clamp, DIN, SMS, RJT, IDF, ISO,3A

Technical specifications

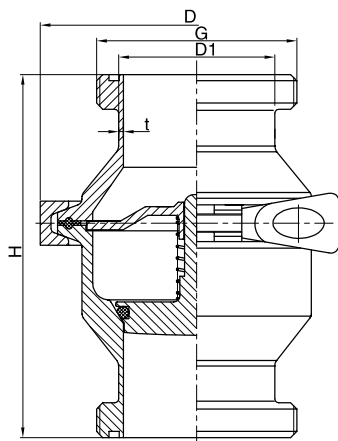
- Max. pressure 10 bar
- Opening pressure: 0.3 bar (DN-25)
 0.2 bar (DN-32/40)
 0.1 bar (DN-50/100)
- Working temperature -10°C to +120°C (EPDM)



W5061

Threaded Check Valve(DIN)

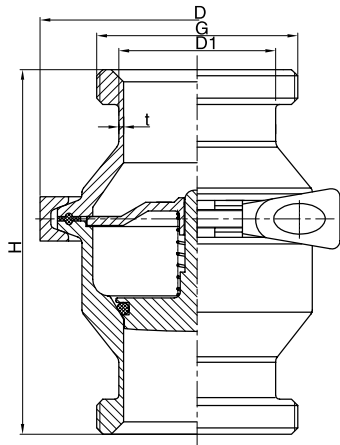
SIZE	H	D1		D	t	G(RD)
		1	2			
DN15	115	18	19	87	1.5	33.5x1/8
DN20	119	22	23	87	1.5	43.5x1/6
DN25	125	28	29	87	1.5	51.5x1/6
DN32	127	34	35	87	1.5	57.5x1/6
DN40	123	40	41	87	1.5	64.5x1/6
DN50	135	52	53	100	1.5	77.5x1/6
DN65	145	70	-	115	2.0	94.5x1/6
DN80	151	85	-	128	2.0	109.3x1/4
DN100	170	104	-	164	2.0	129.3x1/4



W5062

Threaded Check Valve(SMS)

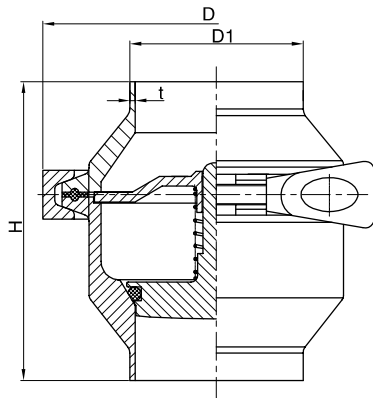
SIZE	H	D	D1	t	G(RD)
3/4"	115	87	19	1.5	35.5x1/8
1"	119	87	25.4	1.5	39.5x1/6
1 1/4"	127	87	31.8	1.5	59.5x1/6
1 1/2"	127	87	38.1	1.5	69.5x1/6
2"	137	100	50.8	1.5	84.5x1/6
2 1/2"	149	115	63.5	2.0	97.3x1/6
3"	155	128	76.2	2.0	104.3x1/6
3 1/2"	149	128	89	2.0	124.3x1/4
4"	170	164	101.6	2.0	



W5063

Threaded Check Valve(3A)

SIZE	H	D1	t	G
1"	108	25.4	1.65	37.13x1/8 Acme
1 1/4"	113	31.8	1.65	45.9x1/8 Acme
1 1/2"	113	38.1	1.65	50.65x1/8 Acme
2"	126	50.8	1.65	64.1x1/8 Acme
2 1/2"	141	63.5	1.65	77.6x1/8 Acme
3"	152	76.2	1.65	91.1x1/8 Acme
4"	167	101.6	2.1	



W5064

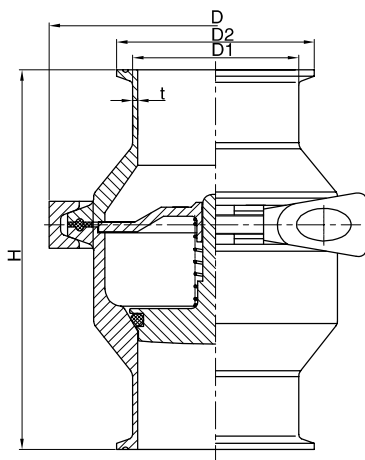
Welded Check Valve

Size	t	H	D	D1
DN15	1.5	70	76.5	18.0
DN20	1.5	70	76.5	22.0
DN25	1.5	70	87.0	28.0
DN32	1.5	70	87.0	34.0
DN40	1.5	70	87.0	40.0
DN50	1.5	80	100.0	52.0
DN65	2.0	90	115.0	70.0
DN80	2.0	100	128.0	85.0
DN100	2.0	110	164.0	104.0

W5065

Welded Check Valve(inch)

Size	t	H	D	D1
3/4"	1.5	70	76.5	19.0
1"	1.5	70	87.0	25.4
1 1/4"	1.5	70	87.0	32.0
1 1/2"	1.5	70	87.0	38.1
45	1.5	80	100.0	45.0
2"	2.0	80	100.0	50.8
57	2.0	91.0	100.0	57.0
2 1/2"	2.0	90	115.0	63.5
3"	2.0	100	128.0	76.2
3 1/2"	2.0	100	128.0	89.0
4"	2.0	110.0	164.0	101.6
	2.0	110.0	164.0	108.0



W5066

Clamped Check Valve(DIN)

Size	t	H	D	D2
DN15	1.5	81	76.5	34.0
DN20	1.5	81	76.5	34.0
DN25	1.5	95	87.0	50.5
DN32	1.5	95	87.0	50.5
DN40	1.5	95	87.0	50.5
DN50	1.5	105	100.0	64.0
DN65	2.0	120.5	115.0	91.0
DN80	2.0	125	128.0	106.0
DN100	2.0	141.5	164.0	119.0

W5067

Clamped Check Valve(inch)

Size	t	H	D	D2
1/2"	1.5	81	76.5	25.4
3/4"	1.5	81	76.5	25.4
1"	1.5	95	76.5	50.5
1 1/2"	1.5	95	87.0	50.5
2"	2.0	105	100.0	64
2 1/2"	2.0	120.5	115.0	77.5
3"	2.0	125	128.0	91
4"	2.0	141.5	164.0	119.0

Applications

- Diaphragm valves, manually or pneumatically operated, are specifically designed for use on hygienic and aseptic processes in the pharmaceutical industries.
- The valve is excellent for flow control as well as for open/close duties.

Operating Principles

- The diaphragm provides the body seal as well as the seat seal. There are no paths to the outside environment and as such the valve is suitable for aseptic processes.
- As the valve is closed a pressure pad which supports the diaphragm moves towards the sealing face on the body. As the pressure plate moves the diaphragm flexes and is forced down onto the seat area in the centre of the body thus closing off the flow path through the body.
- The inter-relationship of body to the pressure plate prevents over compression of the diaphragm.
- The valve can be actuated either manually or pneumatically and controlled by control tops and solenoid valves.

Technical specifications

- Max. pressure: 10 BAR(145PSI)
- Working temperature: -10°C to +120°C (EPDM) -14 °F to 248 °F (+140 °C (SIP, max. 30 min) 284 °F)



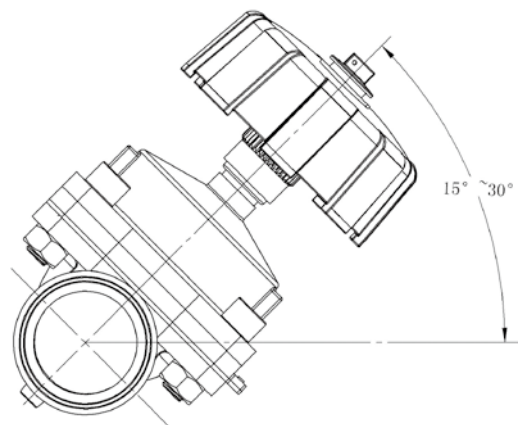
EPDM Silicon
Viton PTFE+EPDM

Design and features

- The diaphragm valves are better in feature of flow in comparison with other valves. It is easier to clean up and better to process the substance with particles. The phenomenon of air pocket is rare during application of flow control.
- Mini diaphragm valve available size: 1/4", 3/8", 1/2", 3/4"
- Diaphragm valve available size: 1", 1 1/4", 1 1/2", 2", 2.5", 3", 4"
- Suitable for CIP/SIP.
- Parts in contact with the product: AISI 316L,
- Other stainless steel parts: AISI 304,
- Internal surface finish bright, Ra ≤ 0.5 μm
- External surface finish satin/bright

Options

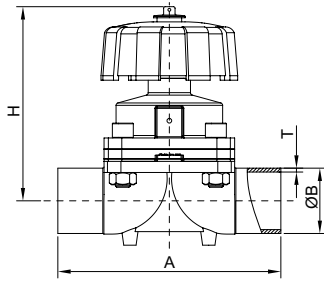
- Connections(standard): clamp, weld, thread, DIN SMS IDF ISO 3A BPE
- Body construction: Straight, Three ways, U type
- Diaphragms in EPDM, SILICON, EPDM+PTFE, all of them according to FDA 177.2600



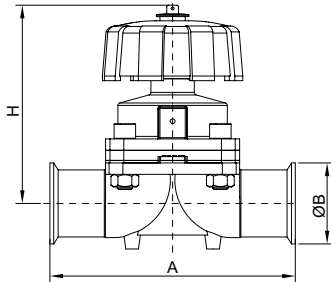
Optimal Installation Angle Diagram

According to the structure feature, fifteen thirty degree is optimal, which makes for complete drain after cleaning and keep no residue.

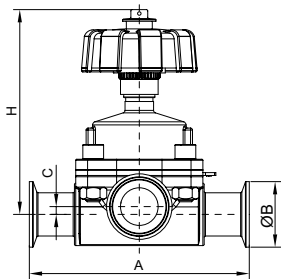



W5070
Welded Diaphragm Valve

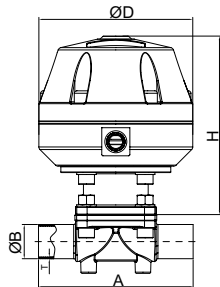
Size	A	B	H	T
1"	118.0	25.4	111.5/122	1.65
1 1/4"	127.0	31.8	144.5/160	1.65
1 1/2"	146.0	38.1	144.5/160	1.65
2"	190.0	50.8	167/190	1.65
2 1/2"	216.0	63.5	199/228	1.65


W5071
Clamped Diaphragm Valve

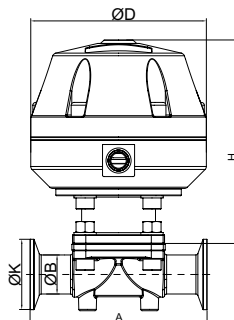
Size	A	B	H
1"	118.0	50.5	111.5/122
1 1/4"	127.0	50.5	144.5/160
1 1/2"	146.0	50.5	144.5/160
2"	190.0	64.0	167/190
2 1/2"	216.0	77.5	199/228


W5072
T-type Three-way Diaphragm Valve

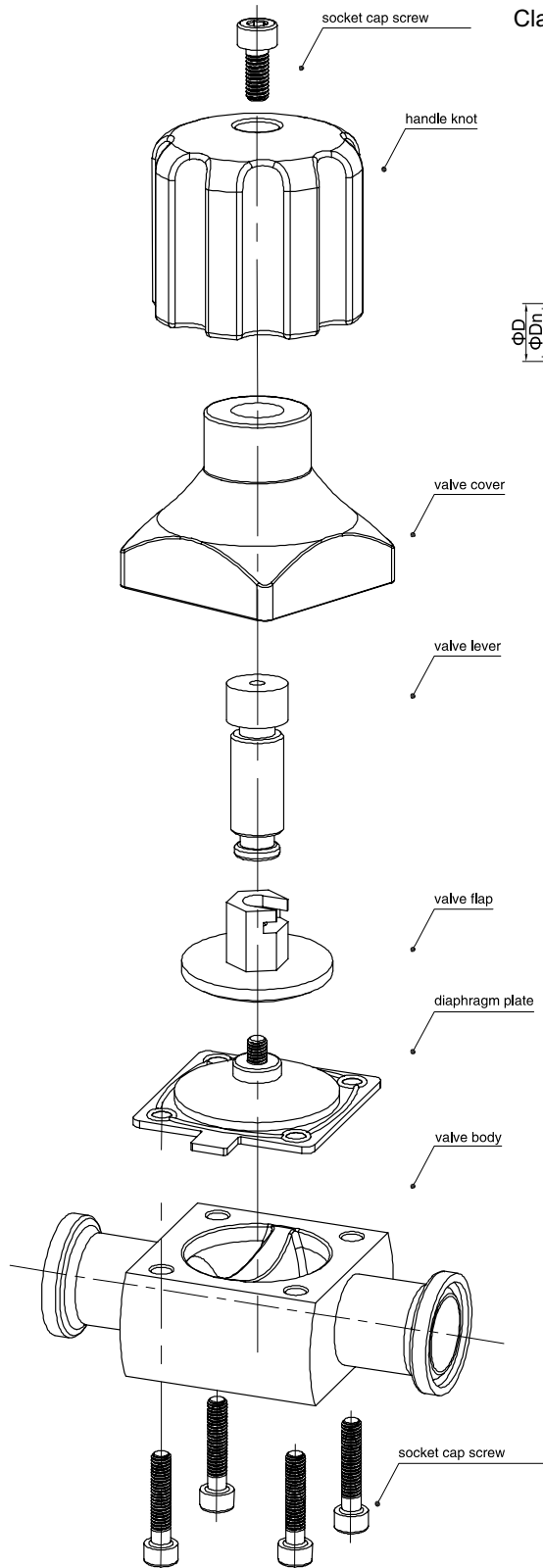
Size	A	B	C	H
1/2"	108.0	25.4	6.0	93.5/102.5
3/4"	108.0	25.4	6.0	93.5/102.5
1"	118.0	50.5	6.0	111.5/122
1 1/4"	127.0	50.5	6.0	144.5/160
1 1/2"	146.0	50.5	6.0	144.5/160
2"	190.0	64.0	6.0	167/190
2 1/2"	216.0	77.5	6.0	199/228


W5073
Welded Pneumatic Diaphragm Valve

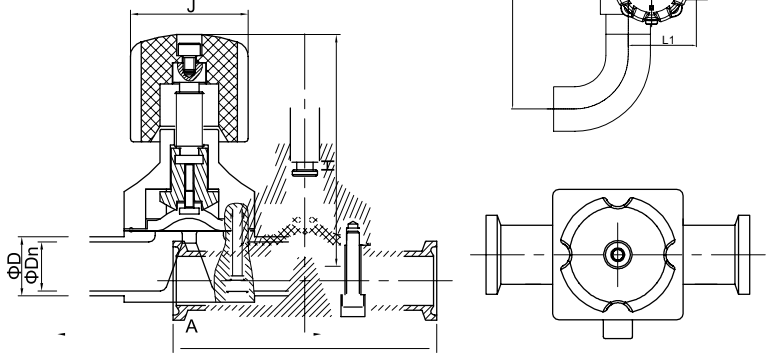
DIN	Size			A	D	H
	3A	SMS	ISO			
DN20				108.0	126.0	146.2
DN25	1"	25	Φ25	118.0	126.0	146.2
DN32	1 1/4"	32	Φ32	127.0	126.0	146.2
DN40	1 1/2"	38	Φ38	146.0	126.0	146.2
DN50	2"	51	Φ51	190.0	126.0	146.2
DN65	2 1/2"	63	Φ63	216.0	126.0	


W5074
Pneumatic Clamped Diaphragm Valve

DIN	Size			A	D	H
	3A	SMS	ISO			
DN20	3/4"	19	Φ19	108.0	126.0	146.2
DN25	1"	25	Φ25	118.0	126.0	146.2
DN32	1 1/4"	32	Φ32	127.0	126.0	146.2
DN40	1 1/2"	38	Φ38	146.0	126.0	146.2
DN50	2"	51	Φ51	190.0	126.0	146.2
DN65	2 1/2"	63	Φ63	216.0	126.0	146.2



Clamped Mini-Type Diaphragm Valve



W5075

SIZE	Dn	D	A	H	J	
DN6	1/4"	4	25.4	68.6	69.4	38
DN8	3/8"	7.1	25.4	68.6	70.3	38
DN10	1/2"	9.4	25.4	68.6	72.2	38
DN15	3/4"	15.7	25.4	85	75.5	38

U-Type Three-Way Diaphragm Valve

W5076

DIN

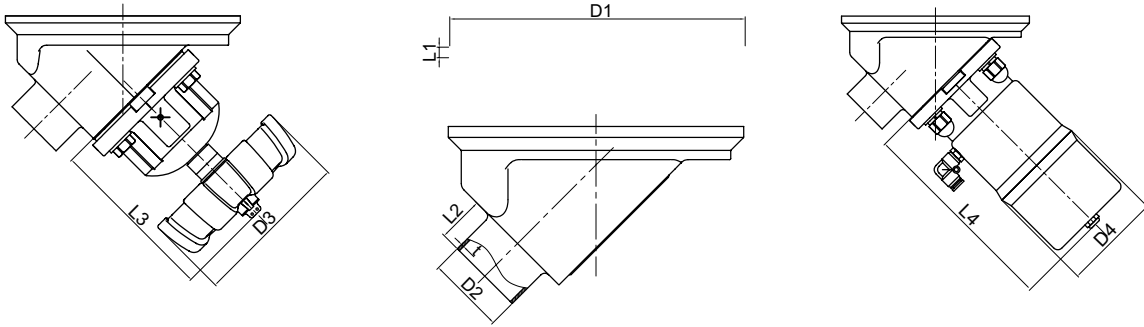
SIZE	L	L1	L2	D	Dn	D1
1"×1"	233	81	70	25.4	22.4	28
1"×3/4"	233	81	70	25.4	22.4	22
1"×1/2"	233	81	70	25.4	22.4	18
1.5"×1 1/4"	264	85.5	85	38	35	34
1.5"×1"	264	85.5	85	38	35	28
1.5"×3/4"	264	85.5	85	38	35	19
2"×1 1/2"	288	92.5	97	50.8	47.8	40
2"×1 1/4"	288	92.5	97	50.8	47.8	34
2"×1"	288	92.5	97	50.8	47.8	28

U-Type Three-Way Diaphragm Valve

W5077

Inch, BPE, SMS, 3A

SIZE	L	L1	L2	D	Dn	D1
DN25×DN25	263	81	70	28	25	28
DN25×DN20	263	81	70	28	25	22
DN25×DN15	263	81	70	28	25	18
DN40×DN32	294	85.5	85	40	37	34
DN40×DN25	294	85.5	85	40	37	28
DN40×DN20	294	85.5	85	40	37	19
DN50×DN40	318	92.5	97	52	49	40
DN50×DN32	318	92.5	97	52	49	34
DN50×DN25	318	92.5	97	52	49	28



Manual or Pneumatic diaphragm bottom valve can be different connection: Weld, Clamp, Thread. It is available with position sensor and intelligent positioner to control switching value.

W5078

Diaphragm Bottom Valve(DIN)

SIZE	D1	D2		D3	D4	L1	L2	L3	L4	t
		1	2							
DN25	120	28	29	90	85	6	25	103	172	1.5
DN32	160	34	35	114	85	6.4	25	111	165	1.5
DN40	160	40	41	114	85	6.4	25	111	165	1.5
DN50	200	52	53	140	126	6	30	141	216	1.5

W5079

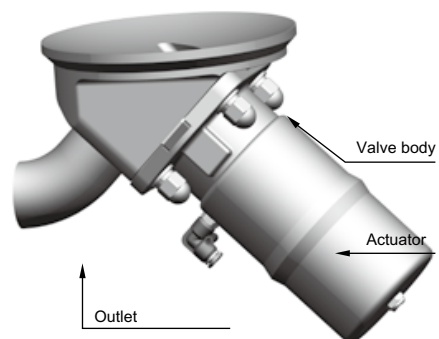
Diaphragm Bottom Valve(Inch, BPE, SMS, 3A, ISO)

SIZE	D1	D2	D3	D4	L1	L2	L3	L4	t
1"	120	25.4	90	85	6	25	103	172	1.5
1 1/4"	160	31.8	114	85	6.4	25	111	165	1.5
1 1/2"	160	38.1	114	85	6.4	25	111	165	1.5
2"	200	50.8	140	126	6	30	141	216	1.5

Manual diaphragm bottom valve



Pneumatic diaphragm bottom valve



Working principle

The working principle of pneumatic valve series is to change the energy generated by the compressed air into mechanical energy, the mechanical energy will drive the stem axial movement, will move the formation of the sealing parts location to control the switch, and ultimately the medium will reverse or stay stable.

Technical datasheet

1. New-style sanitary stop/switch valves possess more improved safety, clearance, durability and appearance.
2. Having open supporter which separates the pneumatic actuator and valve body, check the shaft seal directly. This design separates the gearing and the products parts, prevents the heat transfer from valve body to pneumatic device.
3. "NC" and "NO" functions can be instantly switched
4. Spherical valve body have ideal fluidity and clearance.
6. Standard valve body design makes the joint style more flexible and various.
7. Metal stop mechanism assures the long life of the seal.
8. Quick convenient assemble and maintenance operation.

Material

Material contact parts :304 or 316L

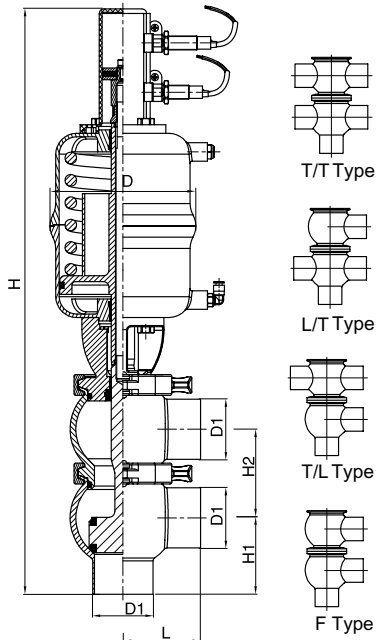
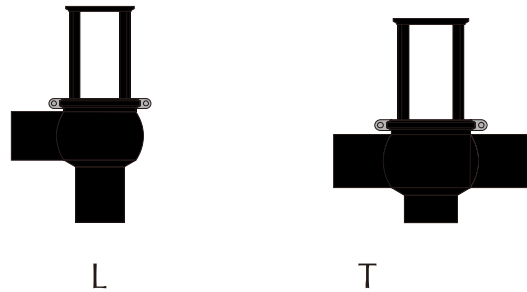
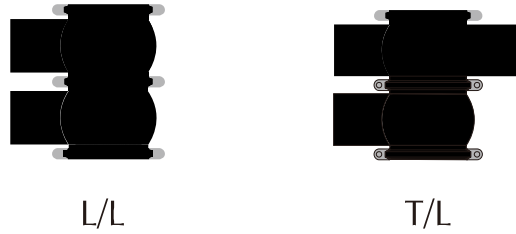
Sealing material: Standard EPDM silica gel, fluorine gel for option.

Surface treatment

Outside: Sandblast $Ra \leq 1.6\mu m$

Sublight $Ra \leq 0.6\mu m$

Inside: Polish $Ra \leq 0.6\mu m$



W5080

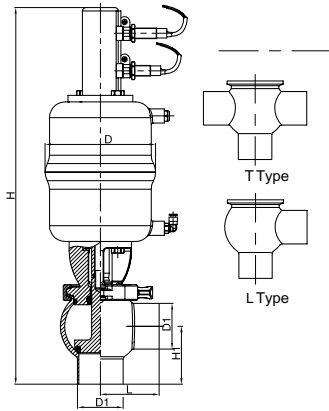
Pneumatic Stop Reversing Valve (DIN)

SIZE	H	H1	H2	t	D1		D	L
					1	2		
DN25	425	58	67	1.5	28	29	85	61
DN32	425	58	67	1.5	34	35	85	61
DN40	425	58	67	1.5	40	41	85	59
DN50	460	66	76	1.5	52	53	126	66
DN65	485	77	88	2.0	70	-	126	77
DN80	620	97	106	2.0	85	-	133	107
DN100	670	106	146	2.0	104	-	170	114

W5081

Pneumatic Stop Reversing Valve (3A, SMS, ISO, IDF)

SIZE	H	H1	H2	D	D1	L
1"	425	58	67	85	25.4	61
1 1/4"	425	58	67	85	31.8	61
1 1/2"	425	58	67	85	38.1	59
2"	460	66	76	126	50.8	66
2 1/2"	485	77	88	126	63.5	77
3"	580	97	106	126	76.2	107
3 1/2"	620	97	106	133	89	107
4"	670	106	146	170	101.6	

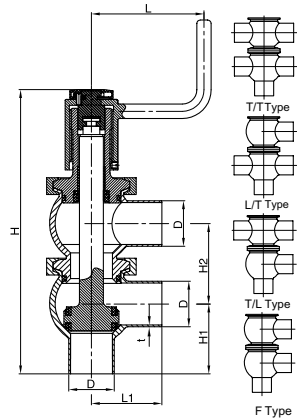


W5082 Pneumatic Stop Reversing Valve (DIN)

SIZE	H	H1	t	D1		D	L
				1	2		
DN25	360	58	1.5	28	29	85	61
DN32	360	58	1.5	34	35	85	61
DN40	360	58	1.5	40	41	85	59
DN50	400	66	1.5	52	53	126	66
DN65	410	77	2.0	70	-	126	77
DN80	525	97	2.0	85	-	133	107
DN100	550	106	2.0	104	-	170	114

W5083 Pneumatic Stop Reversing Valve (3A,SMS,ISO,IDF)

SIZE	H	H1	D	D1	L
1"	360	58	85	25.4	61
1 1/4"	360	58	85	31.8	61
1 1/2"	360	58	85	38.1	59
2"	400	66	126	50.8	66
2 1/2"	410	77	126	63.5	77
3"	525	97	129	76.2	107
3 1/2"	525	97	170	89	107
4"	550	106	170	101.6	



W5084 Manual Stop Reversing Valve (DIN)

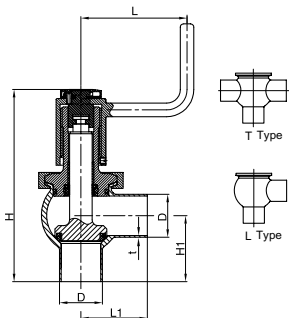
SIZE	H	H1	H2	t	D		L	L1
					1	2		
DN25	240	58	67	1.5	28	29	94	61
DN32	240	58	67	1.5	34	35	94	61
DN40	240	58	67	1.5	40	41	94	59
DN50	266	66	76	1.5	52	53	94	66
DN65	300	77	88	2.0	70	-	94	77
DN80	347	97	106	2.0	85	-	94	107
DN100	400	106	146	2.0	104	-	100	114

W5085 Manual Stop Reversing Valve (3A,SMS,ISO,IDF)

SIZE	H	H1	H2	D	L	L1
1"	240	58	67	25.4	94	61
1 1/4"	240	58	67	31.8	94	61
1 1/2"	240	58	67	38.1	94	59
2"	266	66	76	50.8	94	66
2 1/2"	300	77	88	63.5	94	77
3"	347	97	106	76.2	94	107
3 1/2"	347	97	106	89	94	107
4"	400	106	146	101.6	100	114

W5086 Manual Stop Reversing Valve (DIN)

SIZE	H	H1	t	D		L	L1
				1	2		
DN25	173	58	1.5	28	29	94	61
DN32	173	58	1.5	34	35	94	61
DN40	173	58	1.5	40	41	94	59
DN50	190	66	1.5	52	53	94	66
DN65	212	77	2.0	70	-	94	77
DN80	240	97	2.0	85	-	94	107
DN100	254	106	2.0	104	-	100	114



W5087 Manual Stop Reversing Valve (3A,SMS,ISO,IDF)

SIZE	H	H1	D	L	L1
1"	173	58	25.4	94	61
1 1/4"	173	58	31.8	94	61
1 1/2"	173	58	38.1	94	59
2"	190	66	50.8	94	66
2 1/2"	212	77	63.5	94	77
3"	240	97	76.2	94	107
3 1/2"	240	97	89	94	107
4"	254	106	101.6	100	

Operating principle

- Under normal operating conditions, the valve remains closed.
- The specific pressure is set by adjusting the spring with the pressure nut.
- When the pressure in the pipes is above the specific pressure, the valve becomes open automatically to make the liquid pass over in order to reduce the pressure in the pipes.
- The valve can be with handle in order to realize partial open. When the handle remains open on the operation spot, the detergent can flow through the flow valves.

Options

- Connections DIN-IDF-RJT-3A-SMS, Clamp, flanges, Welding, Threded.
- Material of gasket: EPDM NBR FPM
- Pressure Ranges (changing the spring).
- The assembly with handle can open the valve partially. When CIP (with use of pump passes), the liquid can be flowed though.

Technical specifications

- Max. temperature 121°C (EPDM) /250° F
- Max. operating pressure Spring adjustable (0-3bar/0-6bar/0-10bar) (0-43,5PSI/0-87PSI/0-145PSI)

W5090

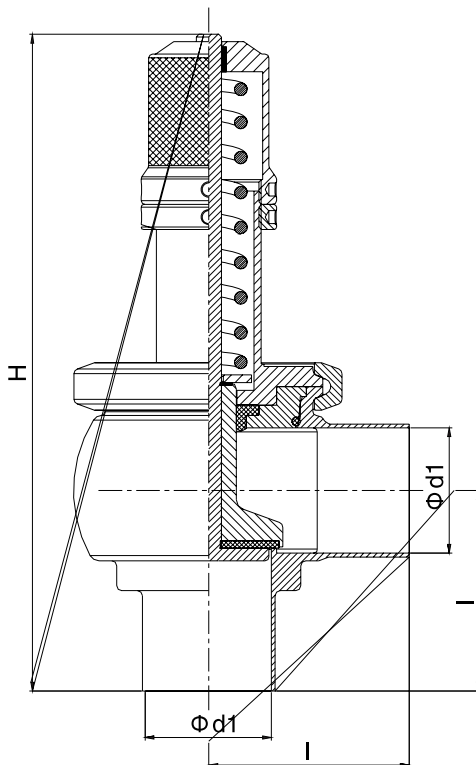
DIN

DN	d1	Manual H	Pneumatic	I
25	26	219	275	58
40	38	250	305	60
50	50	252	305	65
65	66	284	340	75
80	81	301	355	90

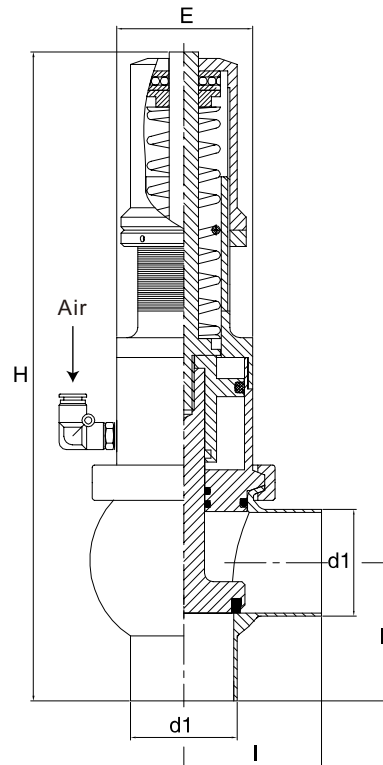
W5091

INCH

DN	d1	Manual H	Pneumatic H	I
1"	22,1	219	275	58
1 1/2"	34,8	238	305	60
2"	47,5	252	305	65
2 1/2"	60,2	284	340	70
3"	72,9	301	355	90



Safety Valve



Pneumatic Safety Valve